

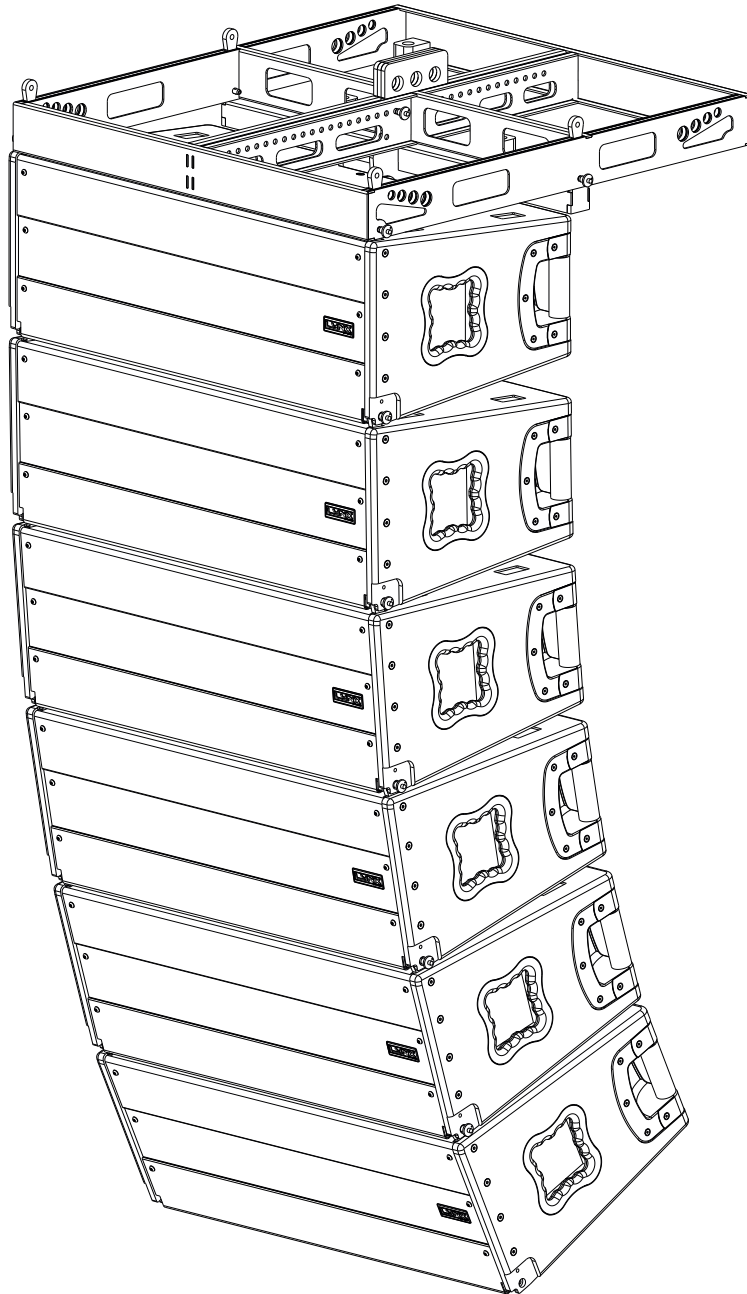
GXR series

USER MANUAL

GXR-LA210A

GXR-D15A

GXR-D18A



Lynx Pro Audio S.L.



GXR-LA210A



GXR-D15A



GXR-D18A

Manufacturer

LYNX Pro Audio S.L.
Calle 1 - Pol. Ind. Picassent
E-46220 Picassent (Valencia)



CE CERTIFICATION, EUROPEAN PRODUCT

INTRODUCTION

Both compact and powerful, the GXR Series is our latest solution for portable, light weight, powered speakers. The series incorporates three full range (two-way) models including 12", 15", dual 15" and one 18" subwoofer and three new cabinets: GXR-LA210A (our best-selling line array), and GXR-D15A and GXR-18A subwoofers.

The GXR-LA210A is a self-powered, bi-amplified, two-way, class D enclosure that delivers high power levels from a very compact format. To extend the low frequency response, there is a dual 15" and dual 18" subwoofer available. The GXR-D15A is designed to be flown or stacked in perfect combination with the GXR-LA210A units. When extreme low frequencies are required the GXR-D18A is recommended.

The system has been designed to be simple to install/use and every care has been taken to incorporate easy rigging hardware.

To facilitate, correct and reliable use of the cabinets we have designed this instruction manual. Please read the manual carefully before proceeding to install the system.

Please observe the technical data carefully and do not ignore the instructions included within this manual.

CONTENTS

• SAFETY PRECAUTIONS	4
• SYSTEM OVERVIEW	
GXR-LA210A	5
GXR-D15A	6
GXR-D18A	7
BACK PANEL	8
• CONNECTORS AND CONNECTIONS	10
FLOWN CONNECTION EXAMPLE	11
STACK CONNECTION EXAMPLE	12
• CONFIGURING THE BACK PANEL	13
CONFIGURATION PANEL	13
SELECT INPUT: DIGITAL OR ANALOG	13
SELECT AND RUN PRESET	14
• HARDWARE AND ACCESSORIES	16
• HOW TO USE FLYING FRAM SV-GXR	18
• APPLICATION EXAMPLES FOR GXR-210A	24
• ONLINE CONTROL SYSTEM	26
• RAINBOW 3D ACOUSTIC SIMULATION SOFTWARE	27
• CERTIFICATIONS AND GUARANTEE	28

Before starting to use this device, please read this instruction manual carefully.
Keep these instructions in the place where the equipment will be used and with easy access to them.



• **Electrical appliance**

The exclamation mark within a triangle identifies the presence of electricity. Use the system carefully without wet hands or feet. Avoid installing the speaker in wet or excessively humid places. Do not place material that contains liquid on or near the unit. Avoid dripping or splashing water or any liquid over the unit. Regularly check the condition of the cables and make sure these are not being walked on or pinched. Connect the speaker to bipolar, earthed mains. The mains plug must be connected to the appropriate protection (fuse or breaker). Connection to any other type of mains could result in an electrical shock and violate local electrical codes.

CAUTION: DO NOT CONNECT OR DISCONNECT THE AC POWER CONNECTORS UNDER LOAD.



• **Heavy equipment**

Apply back protection when using the system. Avoid loading and unloading at heights.



• **Electrical shock risk**

The diagonal mark within a triangle identifies the presence of dangerous voltage.

Do not open or handle the interior of the box. These parts are not to be adjusted by the user. For maintenance and/or repair please go to an authorized service centre. In order to reduce the risk of electric shock, disconnect from AC before plug in or unplugging Audio signal cables. Reconnect to AC only if all signal connections are made and secured. Never manipulate the ground type plug provided.

The AC mains plugs should always remain accessible for operation.

Unplug the loudspeaker during storms or when it's being used for a long time.



• **Hearing damage risk**

These systems can reproduce large quantities of sound pressure which can damage hearing. Take precautions if you are going to be near them for extended amounts of time and do not get too close.



• **Hanging / Flying**

Do not hang the cabinets from the handles or from any other part other than the designated hanging point. When flying this system please observe the technical and "Rainbow" software data carefully. Never exceed the maximum safe working loads or ignore the instructions included within this manual. Use Only flying accessories provided by Lynx Pro Audio S.L. Rigging must be always carried out by professionals.



• **Delicate Material**

Please ensure no foreign object or water enters the speaker. Only clean the unit with dry cloths. Do not use solvents.



• **Overheating / Fire risk**

To reduce the risk of the speaker over heating, avoid direct contact with sunlight. Avoid placing the unit close to heat inducing objects such as radiators. Do not cover the equipment in use and do not block any ventilation openings. Do not put naked flame, such as lighted candles, close or on top of the unit.



• **Electromagnetic and interferente emissions**

Avoid placing objects which through electromagnetic waves can damage the unit, such as mobile phones, lap tops, magnetic strip cards etc.

This system complies with normatives

EN 55103-1 (1)

EN 55103-2 (2)

(1) This device may not cause harmful interferences.

(2) This device may receive interference including interferences that may cause undesired working.



• **IMPORTANT NOTE**

This Equipment must be used in accordance with these instructions and by trained professional personnel only. This equipment should not be used in places with extreme tropical climates. Don't expose this apparatus to extreme humidity and or temperature values.

SYSTEM OVERVIEW

- **GXR-LA210A**

Compact, self-powered class D, two way line array equipped with two 10" speakers (2" voice coil). For the High frequencies it uses a 1.4" output compression driver coupled to a waveguide (100°H x 10°V). DSP (FIR technology) controlled with 1400W amplification, 131 dB SPL. Also available in bi-amp.

- **Technical Data:**

Components:

- LF 10", 2" voice coil, Malt Cross Cooling System
- HF 1.4" exit throat, 3" voice coil with titanium diaphragm

Frequency range: 60 Hz – 20 KHz (-10dB)

Frequency response: 68 Hz – 18 KHz (± 3dB)

Max SPL: 135 dB

Coverage angle: 100° H x 10 ° V

Power: 1400W Class D with switching power supply & PFC

LF amplifier: 1 x 800 W RMS, 1600 W peak

HF amplifier: 1 x 600 W RMS, 1200 W peak

Processing: 96 KHz / 64 bit double-precision, DSP with FIR filter linear phase

Control: User control interface with 2.8" IPS screen

Input: Analog/AES3 (optional)

Control connections: Ethernet (OCS) / USB (DSP updating)

AC power: 90 – 264V. 50/60 Hz with PFC

AC connections: 16A Neutrik powerCon TRUE1 TOP with looping output

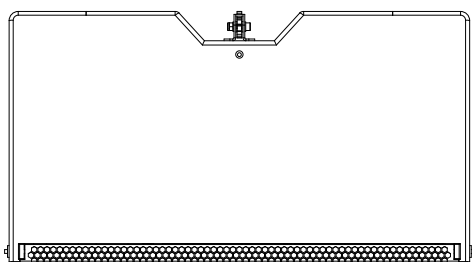
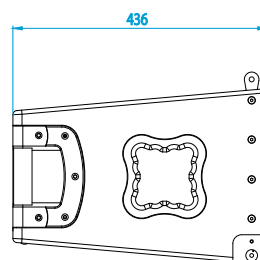
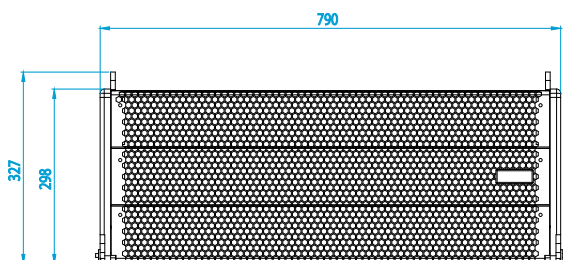
Finish: Polyurea coating high grade resistant paint

Material: 15 mm Premium birch plywood

Dimensions: 298 x 790 x 436 mm (H x W x D)

Weight: 31 kg (68.2 lbs)

- **GXR-LA210A measurements**



SYSTEM OVERVIEW

- **GXR-D15A**

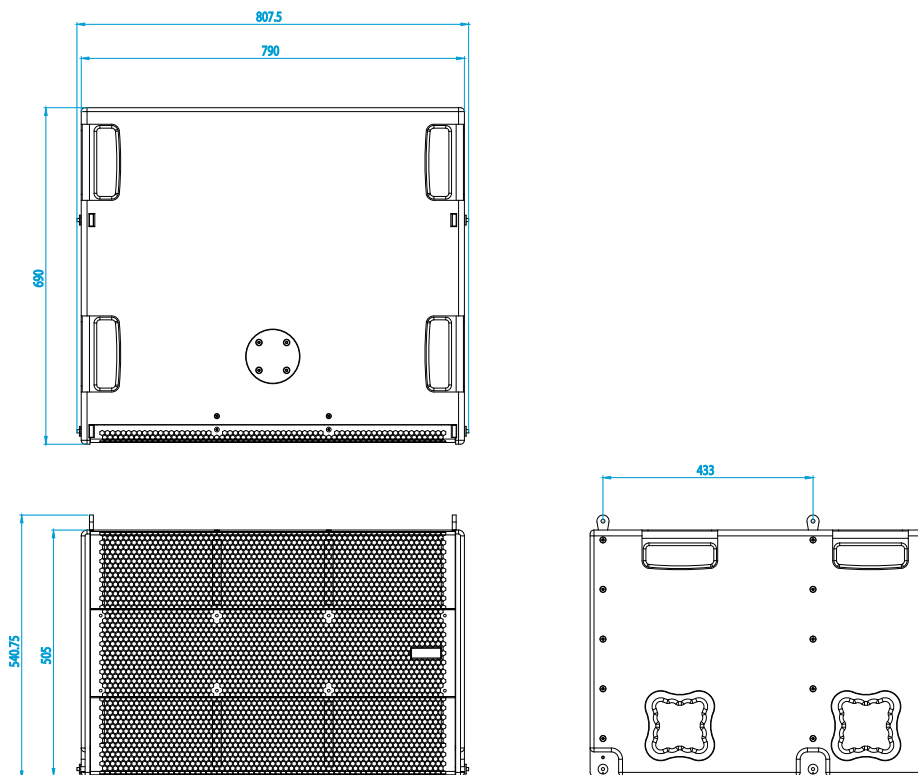
Compact, self-powered class D subwoofer equipped with two 15" (4" coil) speakers. It delivers high power levels from a very compact format. DSP controlled with 3000W, 134 dB SPL.

- **Technical Data:**

Components:

• LF	2 x 15", 4" voice coil, neodymium magnetic assembly
Frequency range:	30 Hz – 140 Hz (-10dB)
Frequency response:	35 Hz – 125 Hz (± 3dB)
Max SPL:	134 dB / 140 dB peak
Coverage angle:	Omnidirectional
Power:	3000W Class D with switching power supply & PFC
LF amplifier:	1 x 3000 W
Processing:	96 KHz / 64 bit double-precision, DSP with FIR filter linear phase
Control:	User control interface with 2.8" IPS screen
Control connections:	USB (DSP updating) / Ethernet (OCS)
Input:	Analog/AES3 optional
AC power:	90 – 264V. 50/60 Hz with PFC
AC connections:	16A Neutrik powerCon TRUE1 TOP with looping output
Finish:	Polyurea coating high grade resistant paint
Material:	18 mm Premium birch plywood
Dimensions:	505 x 790 x 690 mm (H x W x D)
Weight:	63 kg (139 lbs)

- **GXR-D15A measurements**



SYSTEM OVERVIEW

- **GXR-D18A**

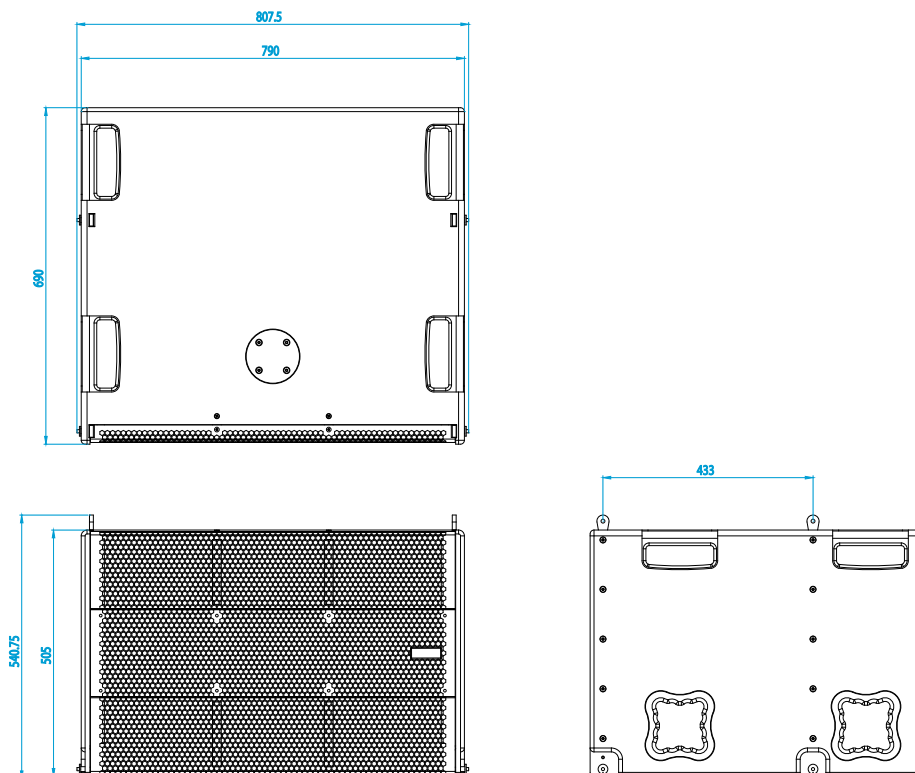
High output subwoofer, self-powered class D, equipped with two 18" (4" voice coil) speakers. DSP controlled with 3000W, 135 dB SPL.

- **Technical Data:**

Components:

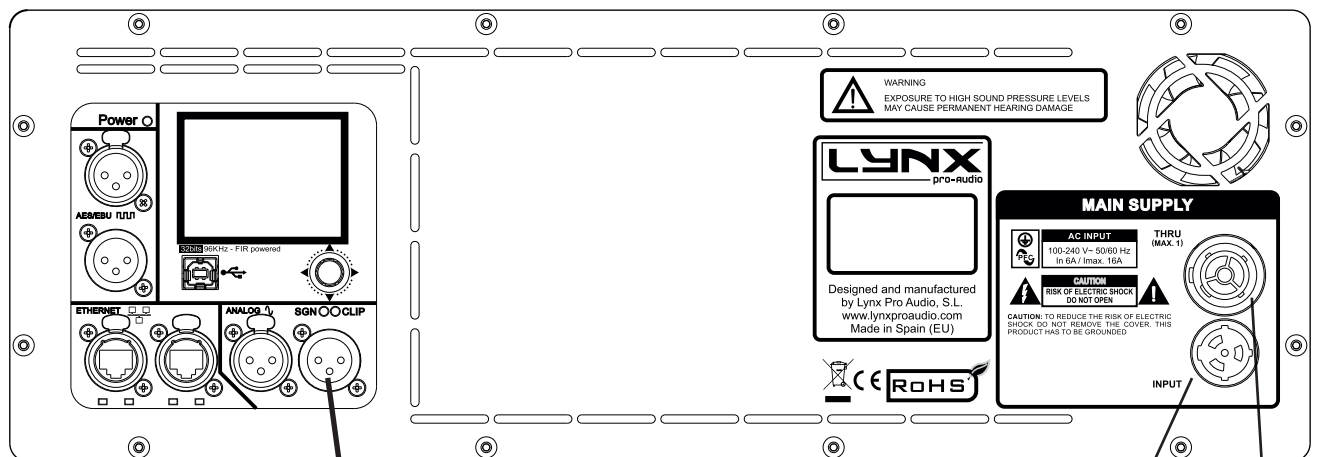
• LF	2 x 18", 4" voice coil, neodymium magnetic assembly
Frequency range:	30 Hz – 120 Hz (-10dB)
Frequency response:	35 Hz – 100 Hz (± 3dB)
Max SPL:	135 dB / 141 dB peak
Coverage angle:	Omnidirectional
Power:	3000W Class D with switching power supply & PFC
LF amplifier:	1 x 3000 W
Processing:	96 KHz / 64 bit double-precision, DSP with FIR filter linear phase
Control:	User control interface with 2.8" IPS screen
Control connections:	USB (DSP updating) / Ethernet (OCS)
Input:	Analog/AES3 optional
AC power:	90 – 264V. 50/60 Hz with PFC
AC connections:	16A Neutrik powerCon TRUE1 TOP with looping output
Finish:	Polyurea coating high grade resistant paint
Material:	18 mm Premium birch plywood
Dimensions:	605 x 1100 x 750 mm (H x W x D)
Weight:	92 kg (202 lbs)

- **GXR-D18A measurements**



GXR-LA210A back panel

- GXR-LA210A back panel:



Main input Main link

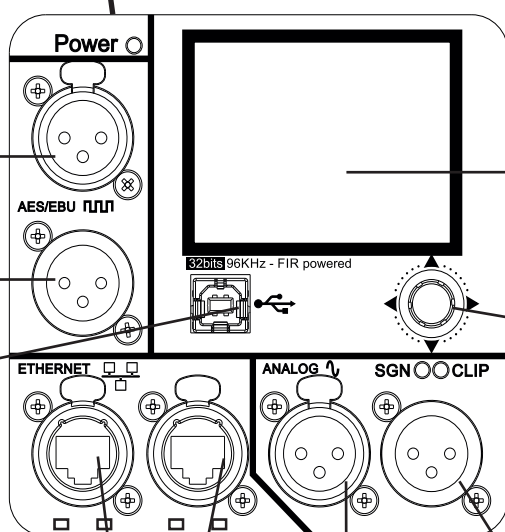


AES/EBU (optional)

digital INPUT

digital Through

USB connection



IPS display & digital control

Multifunction joystick control

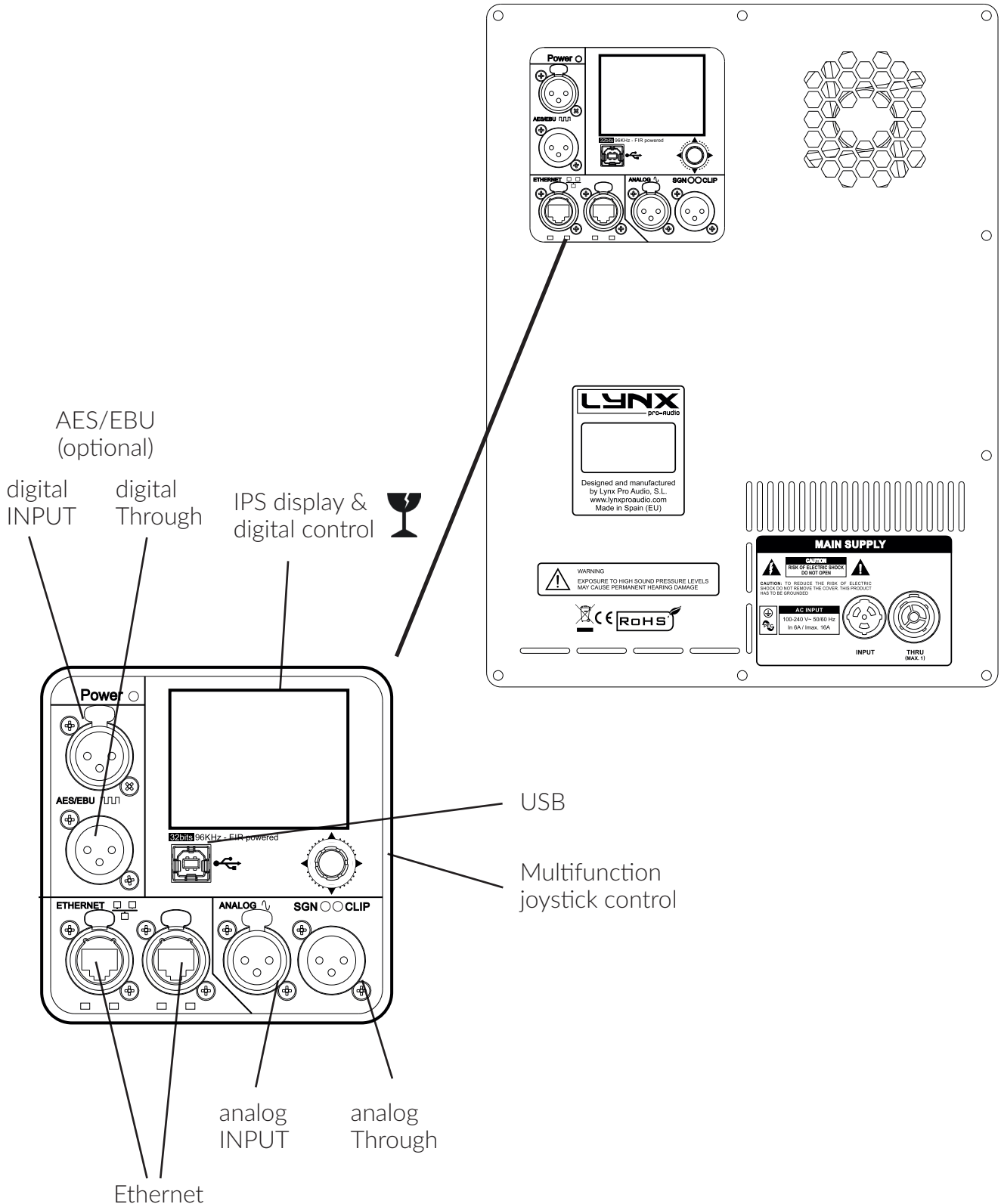
analog INPUT

analog Through

Ethernet

GXR-D15A & GXR-D18A back panel

Both cabinets GXR-D15A and GXR-D18A have the same rear panel, including the connectors and digital control display.

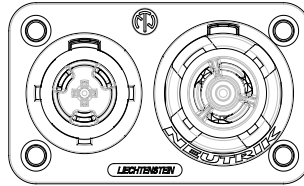


CONNECTORS AND CONNECTIONS



CAUTION: Do not connect or disconnect the AC Power connectors under load.

SOCKET POWERCON TRUE1



INLET | OUTLET

NAC3PX



POWER IN



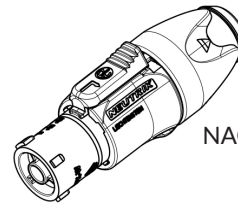
NAC3FX-W or NKPF

(Connector)

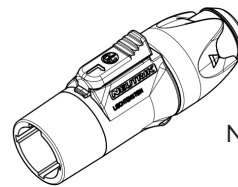
POWER OUT

NAC3MX-W or NKPM

(Plug connector)

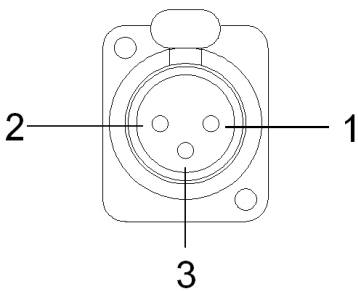


NAC3FX-W



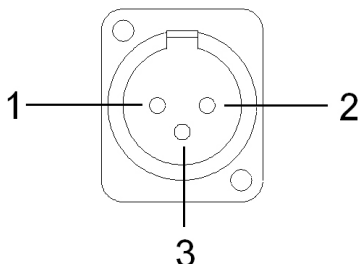
NAC3MX-W

XLR SOCKET CONNECTORS



INPUTS

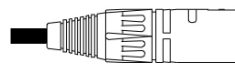
- 1.- EARTH
- 2.- LIVE (+)
- 3.- LIVE (-)



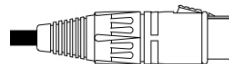
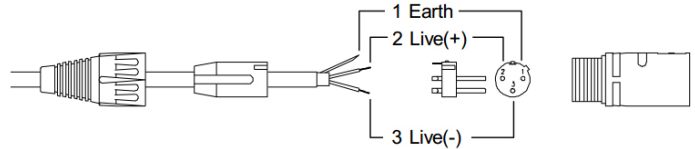
OUTPUTS

- 1.- EARTH
- 2.- LIVE (+)
- 3.- LIVE (-)

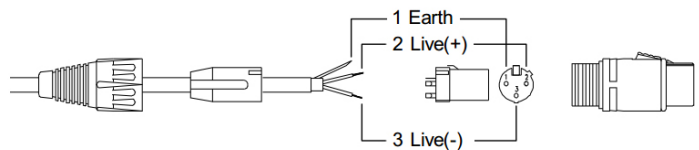
XLR AERIAL CONNECTORS



Connect to input

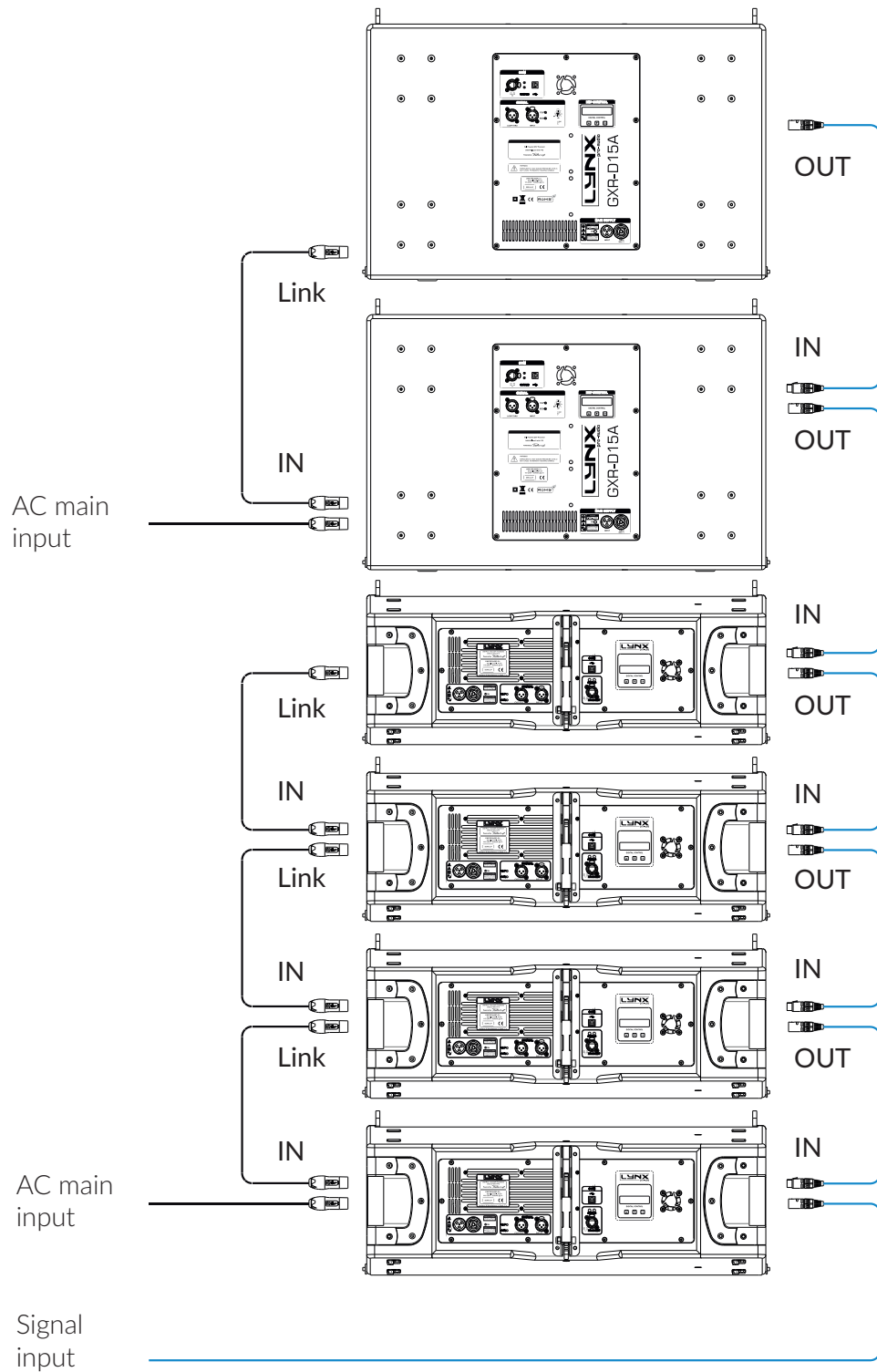


Connect to output



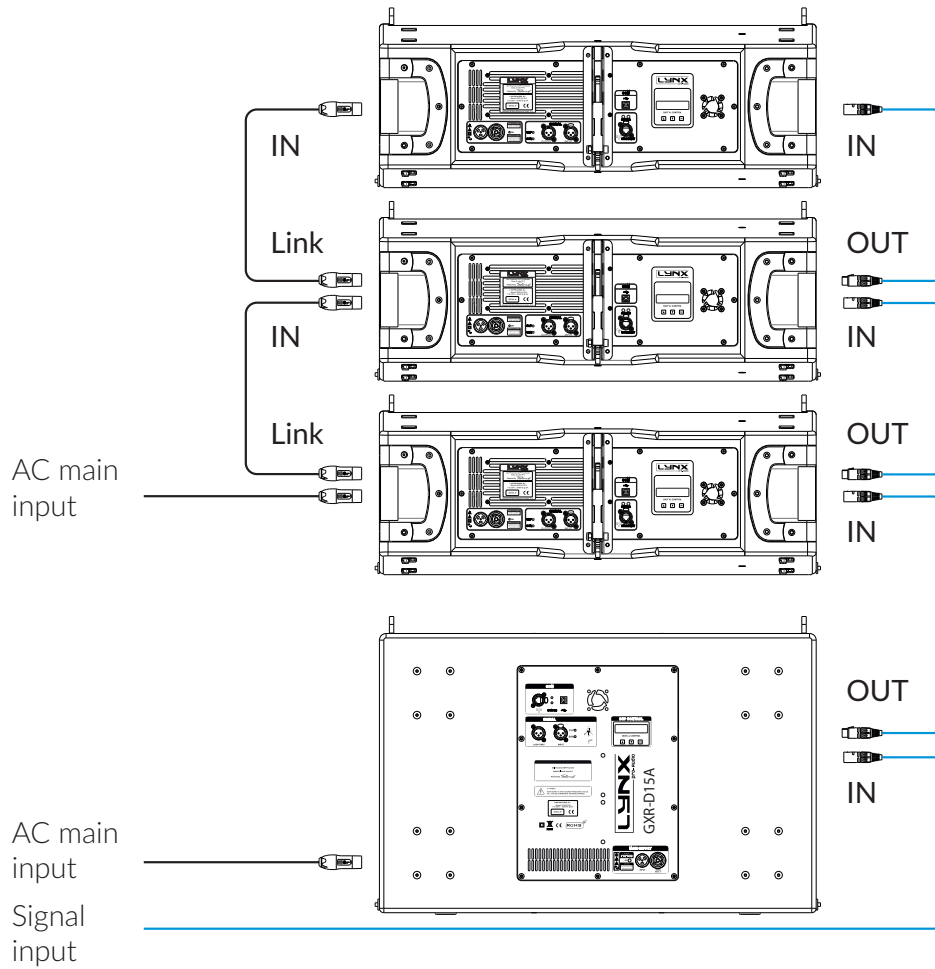
CONNECTORS AND CONNECTIONS

- FLOWN CONNECTION EXAMPLE (mono channel): 4 tops GXR-LA210A + 2 subs GXR-D15A

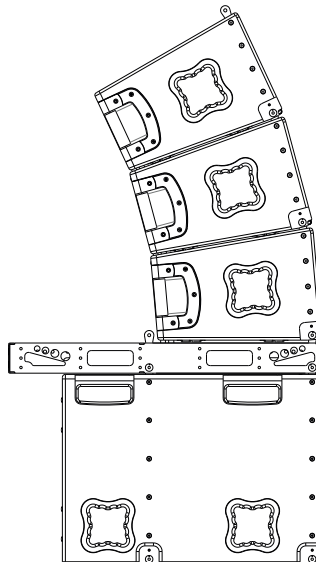


CONNECTORS AND CONNECTIONS

- STACKED CONNECTION EXAMPLE (mono channel): 3 tops GXR-LA210A + 1 sub GXR-D15A

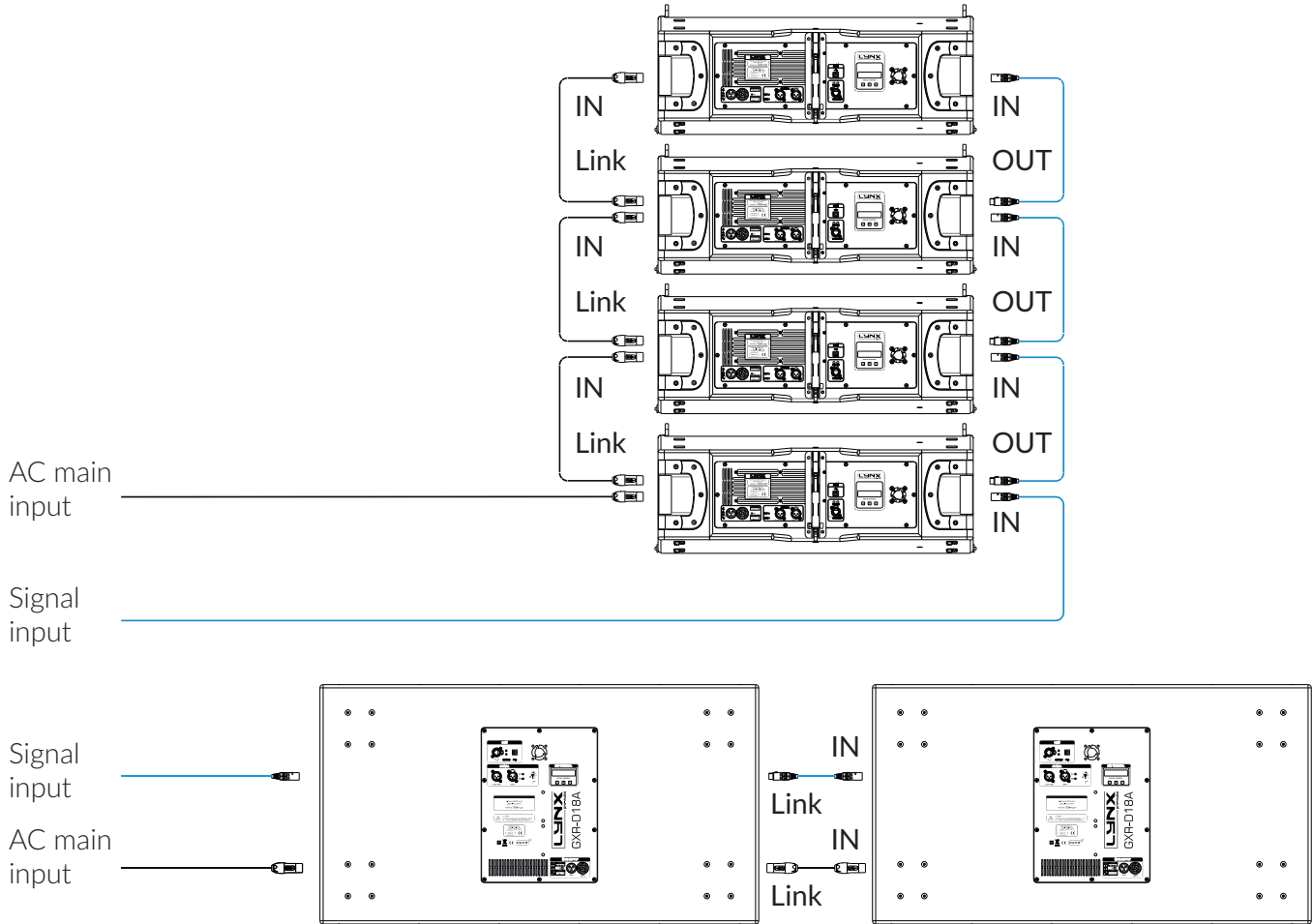


STACKED



CONNECTORS AND CONNECTIONS

- STACKED CONNECTION EXAMPLE (mono channel): 3 tops GXR-LA210A + 1 sub GXR-D15A

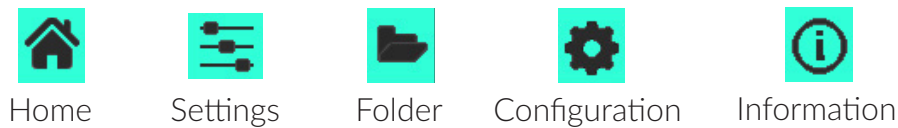


FIR FILTERS

Finite Impulse Response (FIR) filters are used in the signal processing of the cabinets. FIR is a type of digital filter with linear phase characteristics. This frees system designers from the constraints of phase anomalies associated with analogue filters or their digital versions (IIR, Infinite Impulse Response). When properly used, FIR filtering can audibly improve a system's impulse response and reduce crossover interference.

CONFIGURING THE CABINET DSP OPTIONS

On the back panel of the cabinet you will find the digital control area. From the compact joystick located below the screen you are able to configure the Basic adjustment functions of the internal DSP. Just move the joystick to select the icons on the left of the screen. You can enter into the following functions:

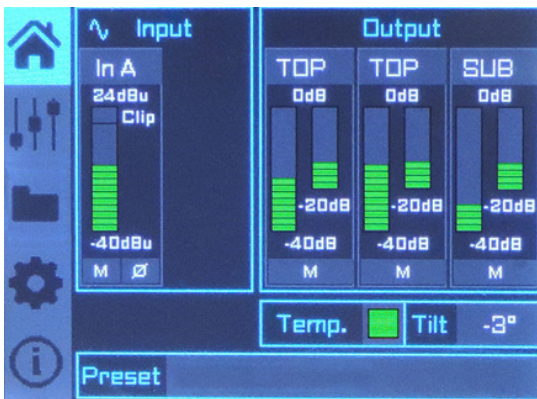


Please note that you must apply the desired configuration in each one cabinet and requires electrical power to work.

If changes are not made the display will automatically dim to avoid unnecessary light in situations where light is not wanted. To re-activate the light simply press the joystick.

CONFIGURATION PANEL

On the main screen you can see the cabinet's input and output.



- **Input:**

You can see a vumeter with the input level and a clip signal.

- **Output:**

You have a vumeter with the output level (0 dBu is the amp's maximum level) You can check the compressor and control the dynamic activity.

On the second screen you can modify some parameters.



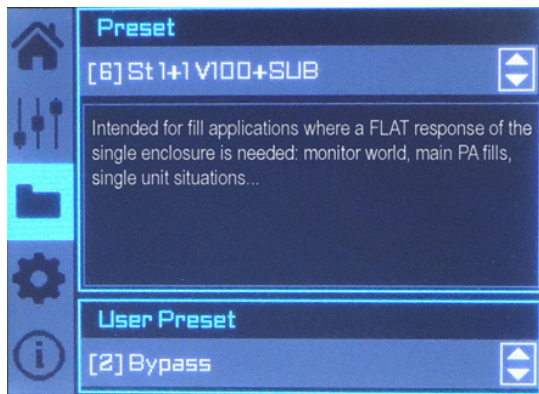
- **Gain**

- **Mute**

- **Polarity**

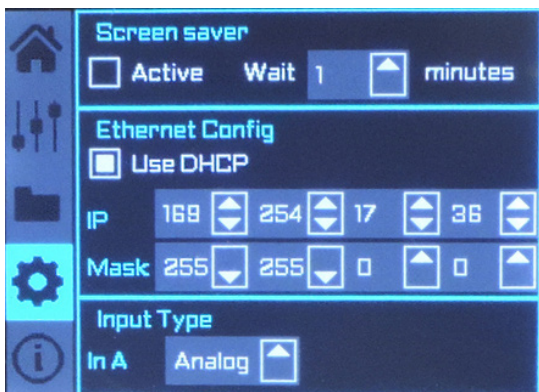
- **Delay**

- **High Pass Filter:** You can setup a High Pass filter selecting type, frequency and order.



The folder screen shows you the name of the preset and its description.

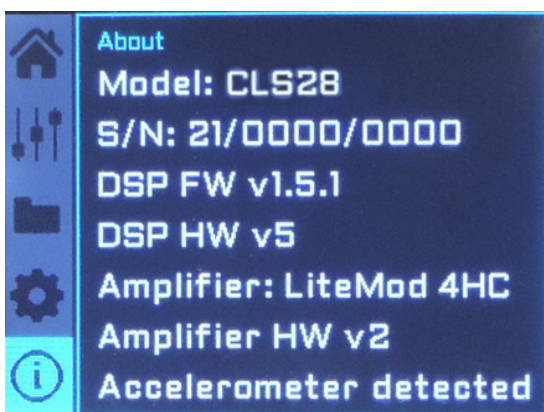
Using the joystick you can change the preset.



This screen is to configure Ethernet. You can choose automatic or manual

You can also configure the screen saver.

And here you have the input selection. You can choose between analog or AES3 for channel 1 or channel 2.



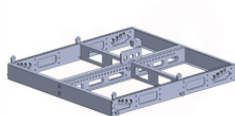
The last screen shows you some general information regarding the cabinet's components.

Here you can see the cabinet model, its serial number, DSP firmware and hardware versions, amp module model with hardware version, as well as the accelerometer status.

HARDWARE AND ACCESSORIES

The GXR series include some accessories for installation and transport. The GXR-LA210A, GXR-D15A and GXR-D18A include:

GXR-LA210A accessories:



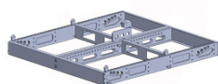
SV-GXR

Flying frame and stacking system for GXR-LA210A and GXR-D15A. You can use this frame for ground stack or rigging.



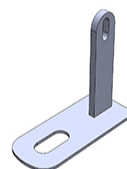
FD-GXRLA10

Nylon protection cover for either 4 GXR-LA210A cabinets



CA-GXRLA10

Transport dolly for GXR-LA210A



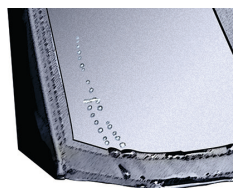
GXR-GSKIT

Ground stack kit to stack GXR-LA210A directly or together with the GXR-D18S



BALL-PSR0820

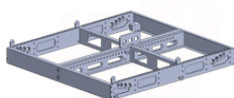
Ball pin with thread for GXR-LA210A cabinet and GXR-D15A



FD-GXRLA10NL

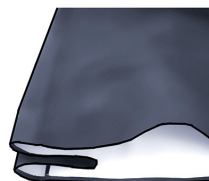
Rain cover for the back panel of the GXR-LA210A

GXR-D15A accessories:



SV-GXR

Flying frame and stacking system for GXR-LA210A and GXR-D15A. You can use this frame for ground stack or rigging.



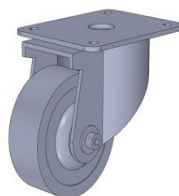
FD-GXRD15/2 & FDGXR-D15/3

Nylon protection cover for 2 or 3 GXR-D15A subwoofers



CA-GXRDL15

Transport dolly for GXR-D15A



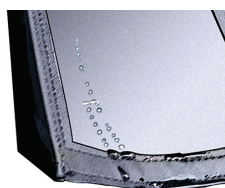
GX-18WKIT

Wheel kit for subwoofer GXR-D15A and GXR-D18A



BALL-PSR0820

Ball pin with thread for GXR-LA210A cabinet and GXR-D15A



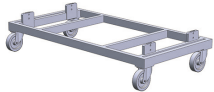
FD-GXRD15NL

Rain cover for the back panel of the GXR-D15A

HARDWARE AND ACCESSORIES

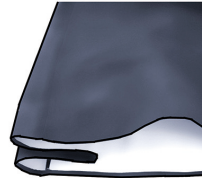
The GXR series include some accessories for installation and transport. The GXR-LA210A, GXR-D15A and GXR-D18A include:

GXR-D18A accessories:



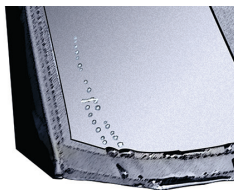
CA-GXRLD15

Transport dolly for GXR-D15A



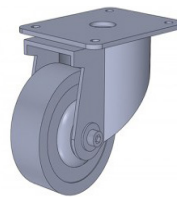
FD-GXRLA10

Nylon protection cover for either 4 GXR-LA210A cabinets



FD-GXRD18NL

Rain cover for the back panel of the GXR-D18A



GX-18WKIT

Wheel kit for subwoofer GXR-D15A and GXR-D18A

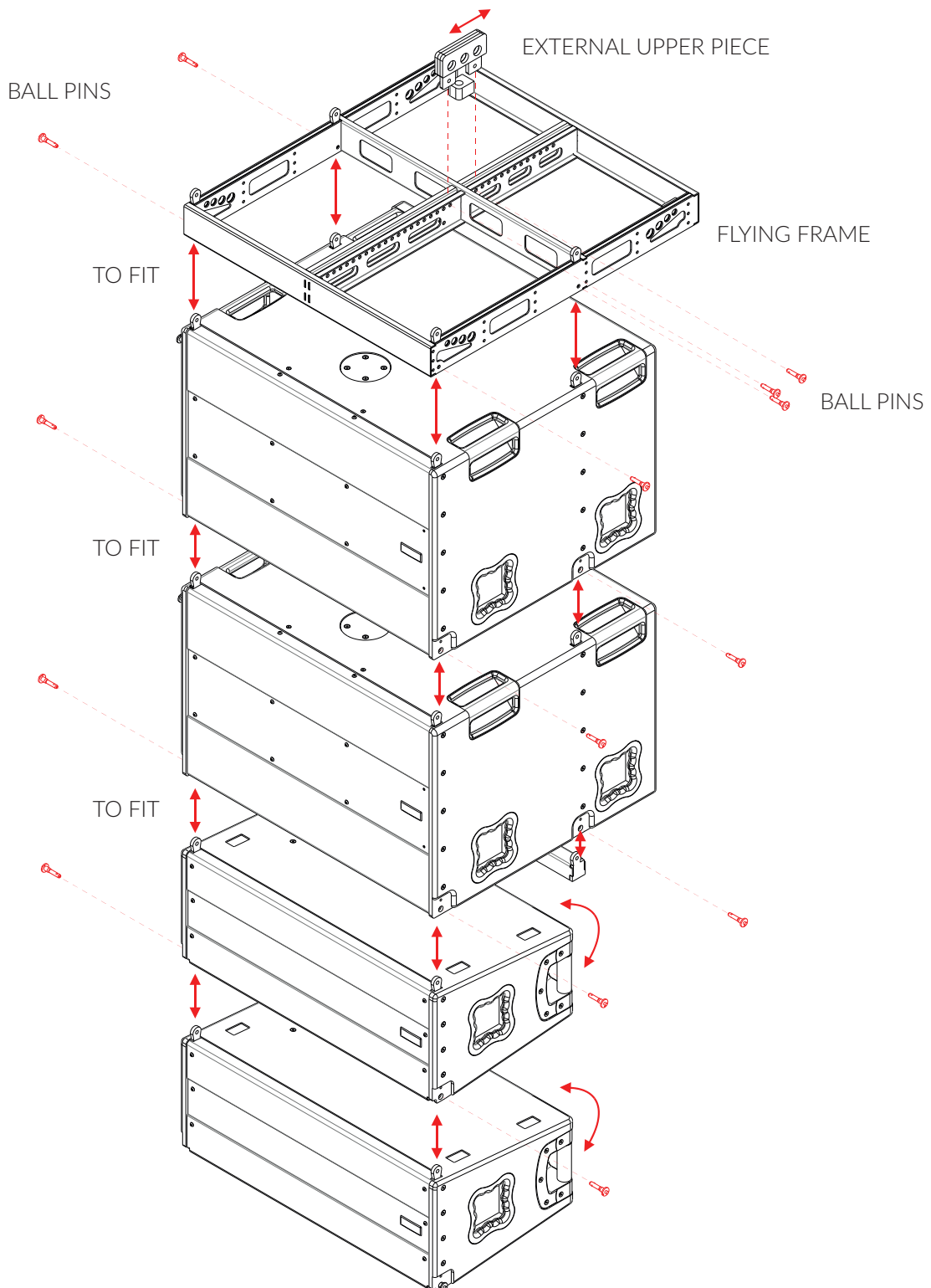
About the rain hood

This rain hood is crafted to provide effective protection against regular rainfall. However, it is important to note that it is not engineered to serve as a waterproof barrier in extreme weather conditions. For severe storms or heavy downpours, we recommend additional protective gear to ensure complete waterproofing.

HOW TO USE THE FLYING FRAME SV-GXR

The flying system SV-GXR is constructed with steel and is composed by the flying frame and a special upper support piece. All the cabinets are hung from this flying frame, one beneath the other correspondingly.

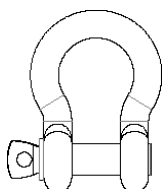
Different accessory pieces are available to fit all your needs. Different accessory pieces are available.



HOW TO USE THE FLYING FRAME SV-GXR

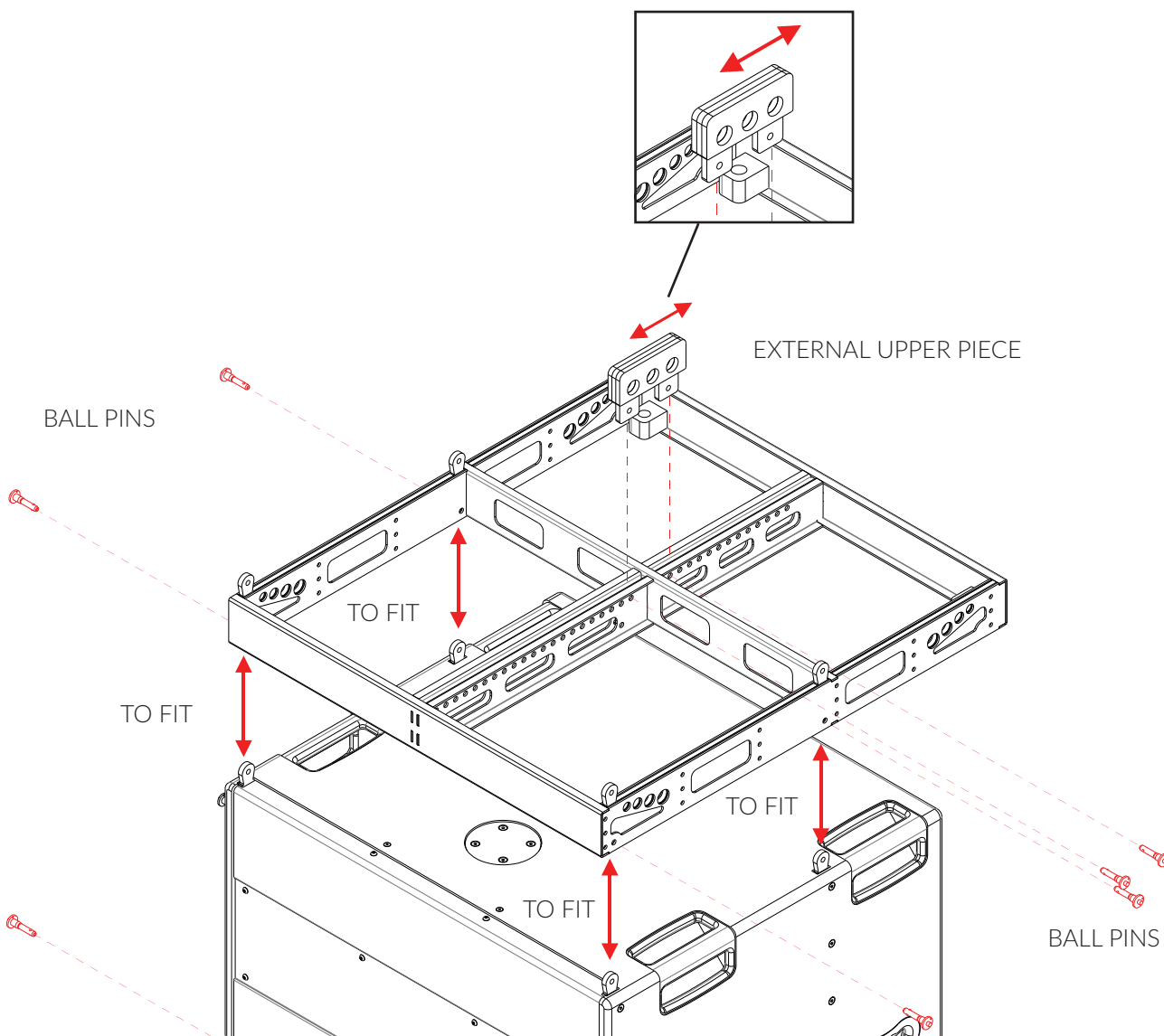
Place the shackles in position so that when the system is lifted it raises correctly and achieves maximum system orientation. You have different holes to place the shackles and orientate the system to your requirements.

Fix the shackles to the elevation system (e.g motors, lifts) and elevate enough so as to fix the SV-GXR on to the first cabinet (GXR-LA210A or sub GXR-D15A) so that the link of support fit in to position in the upper lateral fixing points of the cabinet.



Note: To hang the system with motors or hoists, use the shackles code n° GS-12.

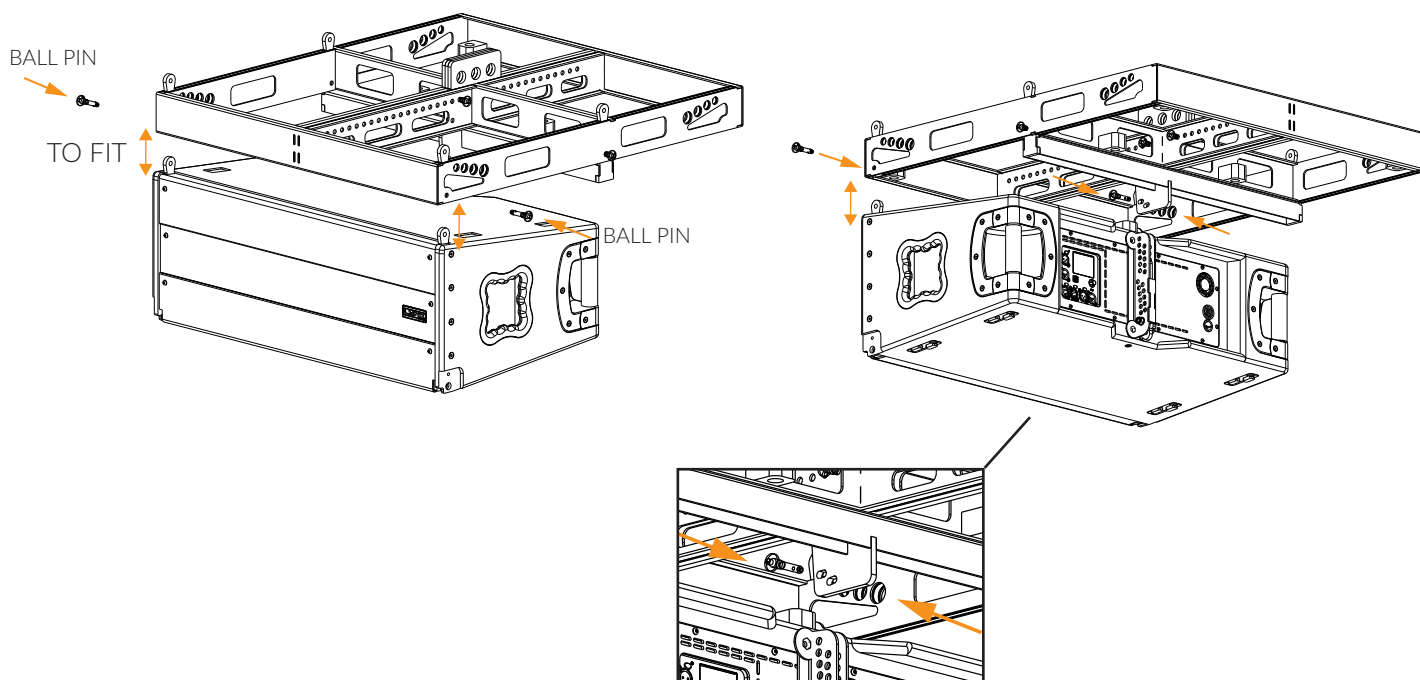
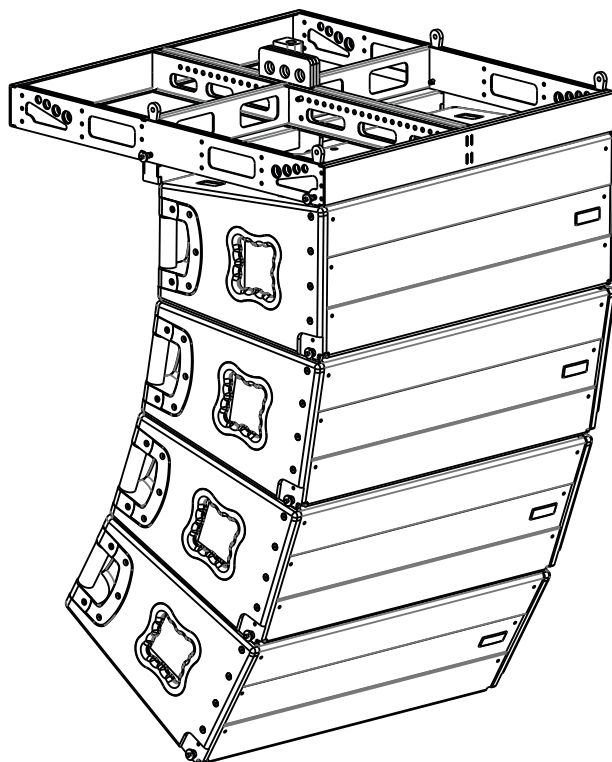
The external upper support piece is used to fix the shackles to the flying frame. This piece has three holes and must be placed into the transversal part of the frame. Its position is adjustable and locked by steel pins.



Note: Ensure all pins on all cabinets are inserted correctly and fully in their corresponding holes.

HOW TO USE THE FLYING FRAME SV-GXR

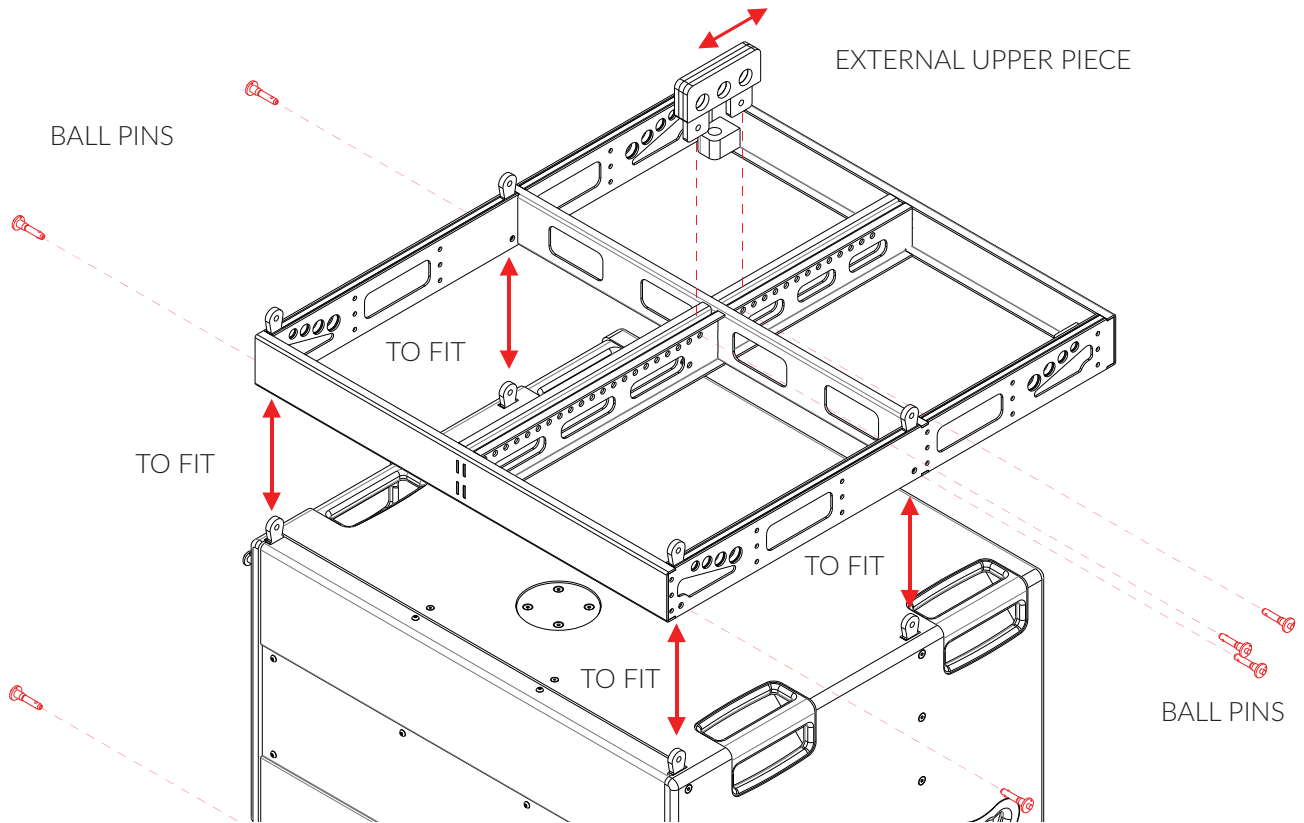
When using the flying frame with the GXR-LA210A enclosures they are supported via 2 fixing points incorporated in each side of the cabinet. And other 2 fixing points at the special support piece provided. All the fixations are made by a special steel pin, designed for maximum security.



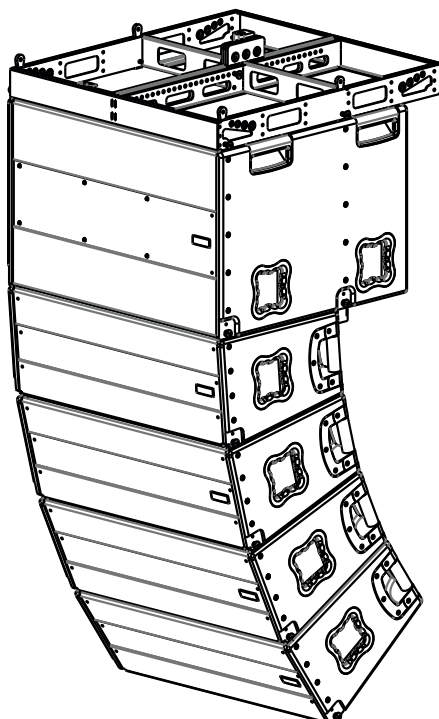
Note: Ensure all pins on all cabinets are inserted correctly and fully in their corresponding holes.

HOW TO USE THE FLYING FRAME SV-GXR

When flying the GXR-D15A enclosures they are supported via 4 fixing points incorporated in each side of the cabinet. All the fixations are made by a special steel pin, designed for maximum security.

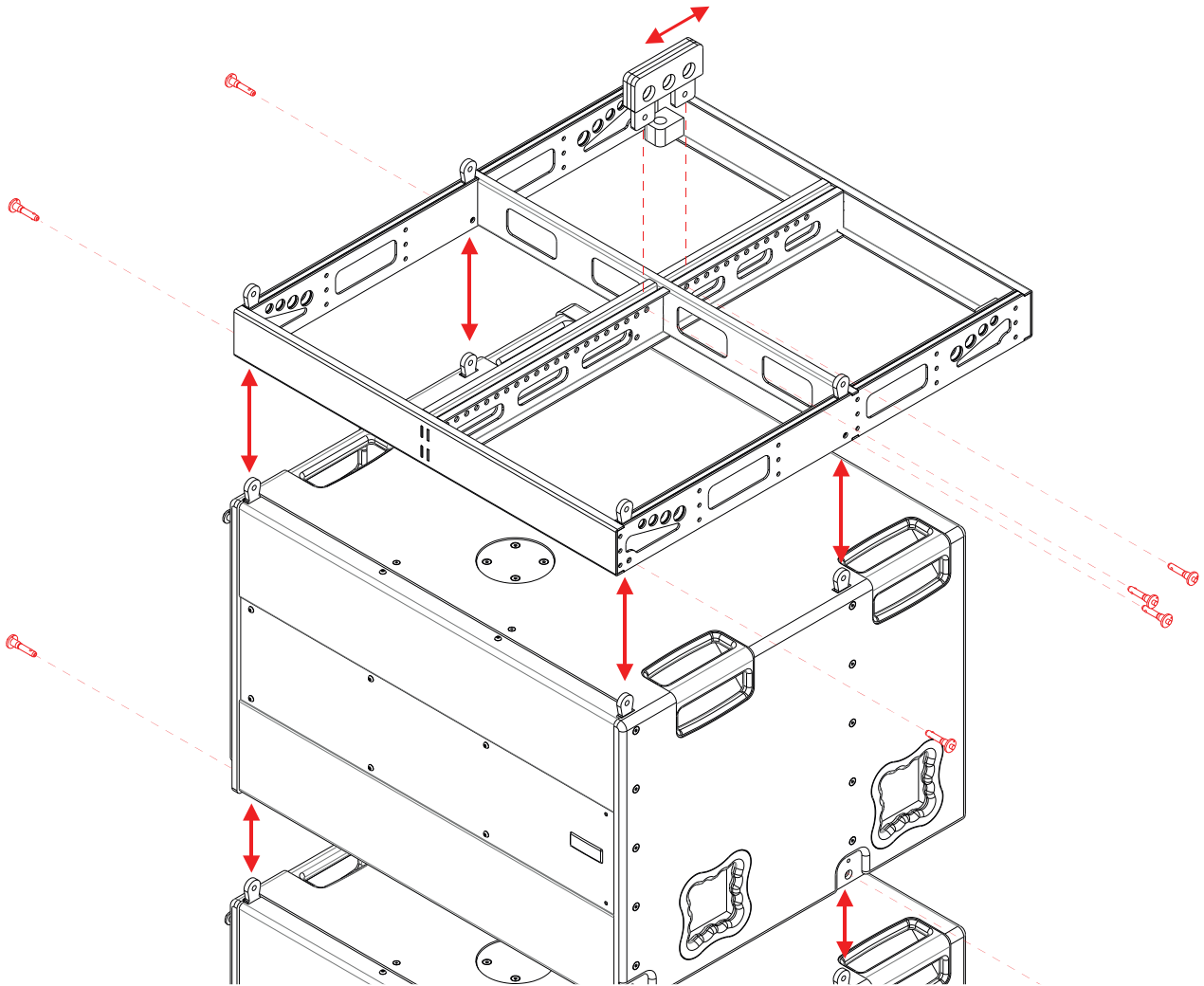


Note: Ensure all pins on all cabinets are inserted correctly and fully in their corresponding holes.

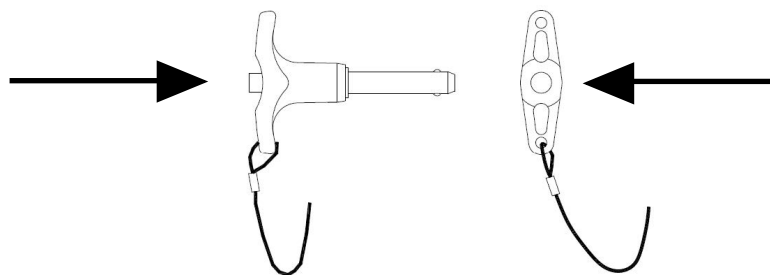


HOW TO USE THE FLYING FRAME SV-GXR

When flying the GXR-D15A enclosures they are supported via 4 fixing points incorporated in each side of the cabinet. All the fixations are made by a special steel pin, designed for maximum security.



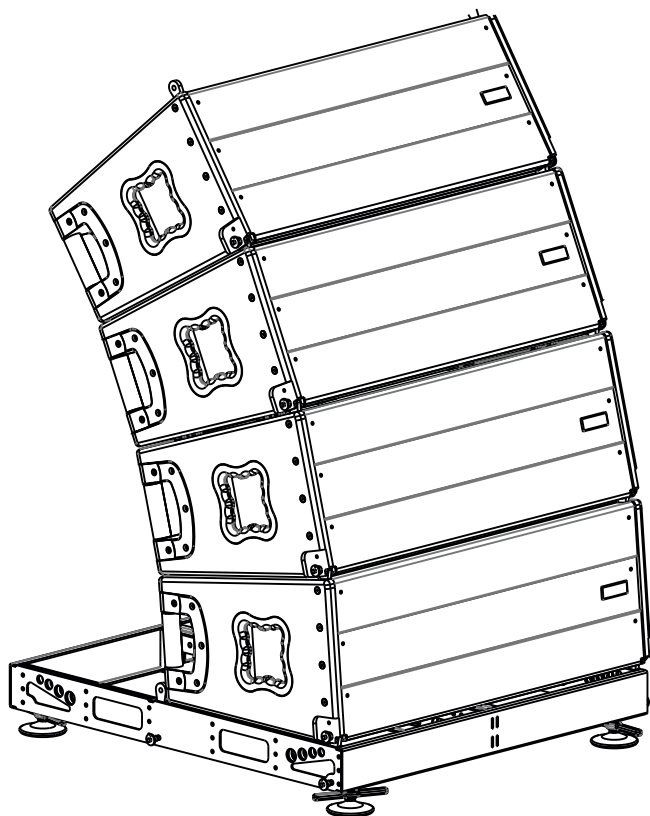
The support of the cabinets to the flying system and between them is carried out with special 6mm steel pins. To extract or fix the steel pins it is necessary to press the central button of the pin.



HOW TO USE THE FLYING FRAME SV-GXR

The flying frame can also be used as a ground support for stack mode configurations.

Example 1



Safety precautions

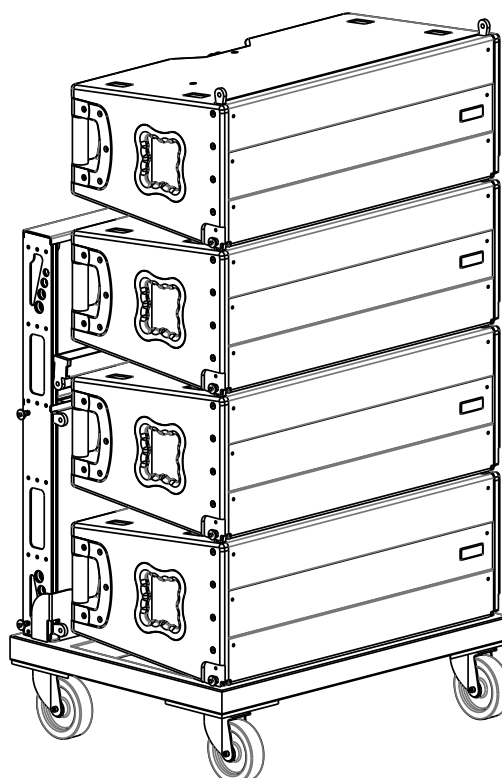
To fix the cabinets to the Flying Frame always use the pins supplied with the equipment. Do not use different bolts etc.

To hang the motors or manual hoists, use the hooks supplied with the flying frame SV-GXR. In case of failure, the link system used should be capable of supporting the total weight of the complete system.

If the system is installed outdoors check that the support structure will be stable against the wind strength and secure it with a cable to avoid pendular movement.

Do not stand underneath the system.

Example 2



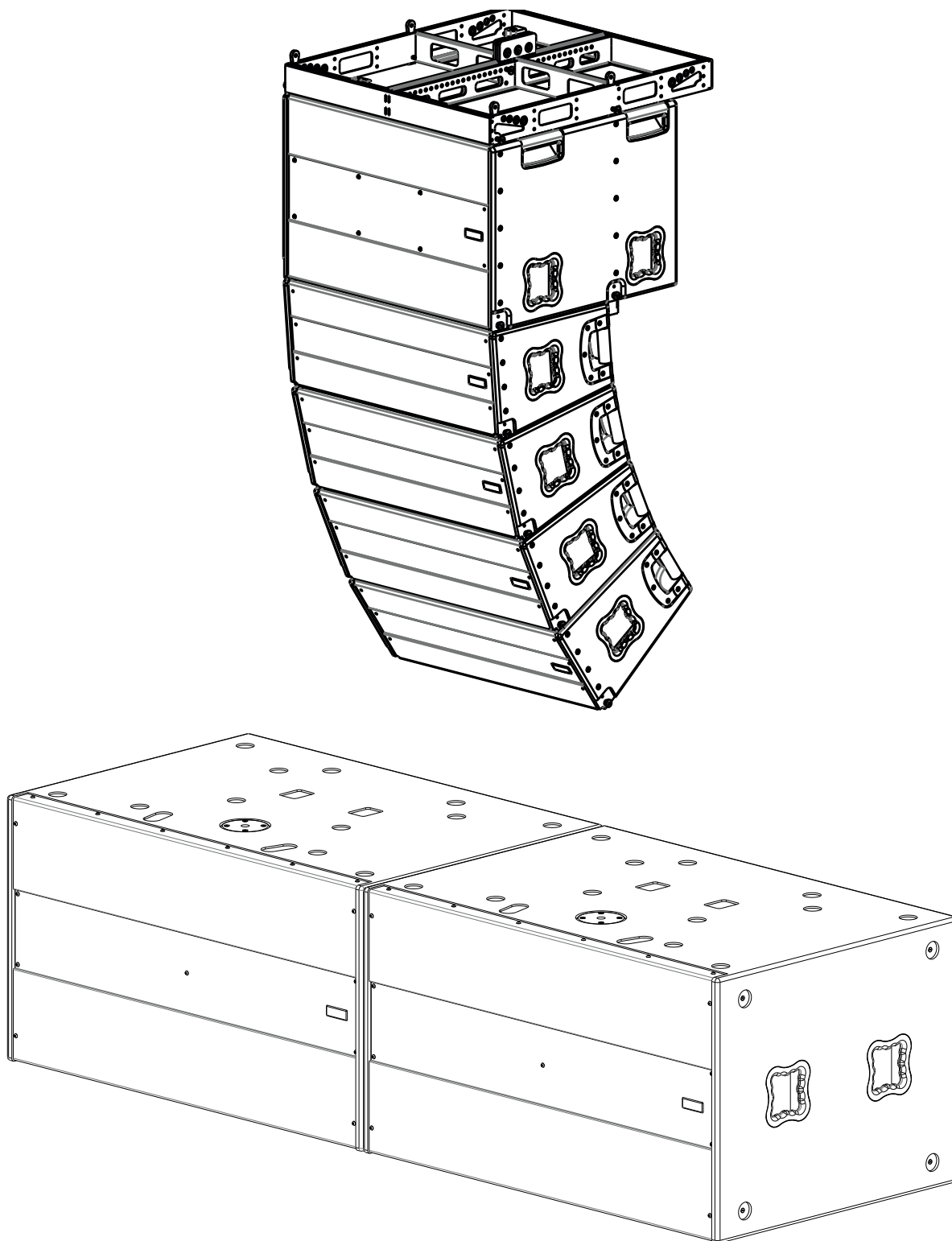
A very practical transport dolly is available for touring applications.

This dolly transport up to 4 top enclosures including the flying frame. And a nylon protection cover is also available for this pack.

APPLICATION EXAMPLES FOR GXR-2LA10A

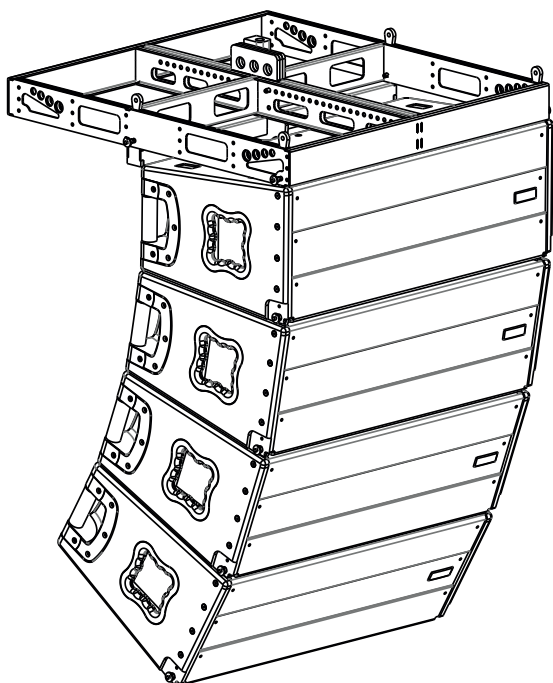
The GXR-LA210A can be used for a multitude of applications:

- 1 sub GXR-D15A + 4 GXR-LA210A in flown configuration + 2 subs GXR-D18A for low frequencies

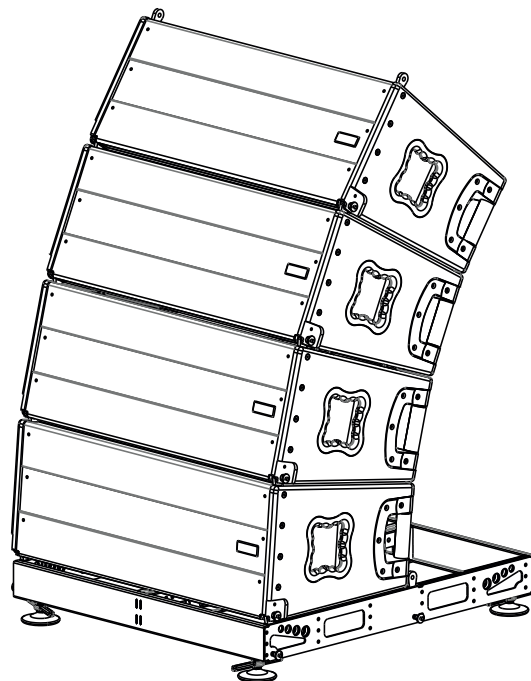


APPLICATION EXAMPLES FOR GXR-2LA10A

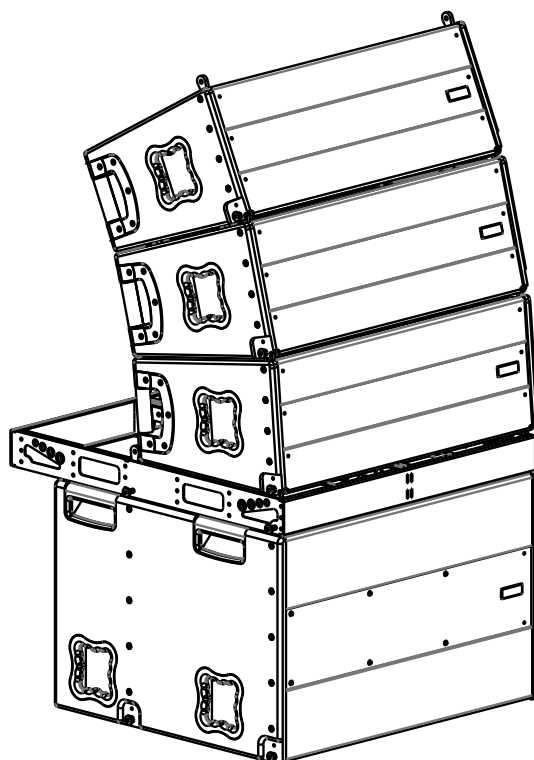
- 4 GXR-LA210A in flown configuration



- 4 GXR-LA210A in stack configuration



- 3 GXR-LA210A + 1 sub GXR-D15A in stack configuration



ONLINE CONTROL SYSTEM

- Who is it for?

Users of Self powered DSP incorporated Lynx Pro Audio Cabinets where the user has requested the cabinets be supplied with the Ethernet Module kit.

- What is it for?

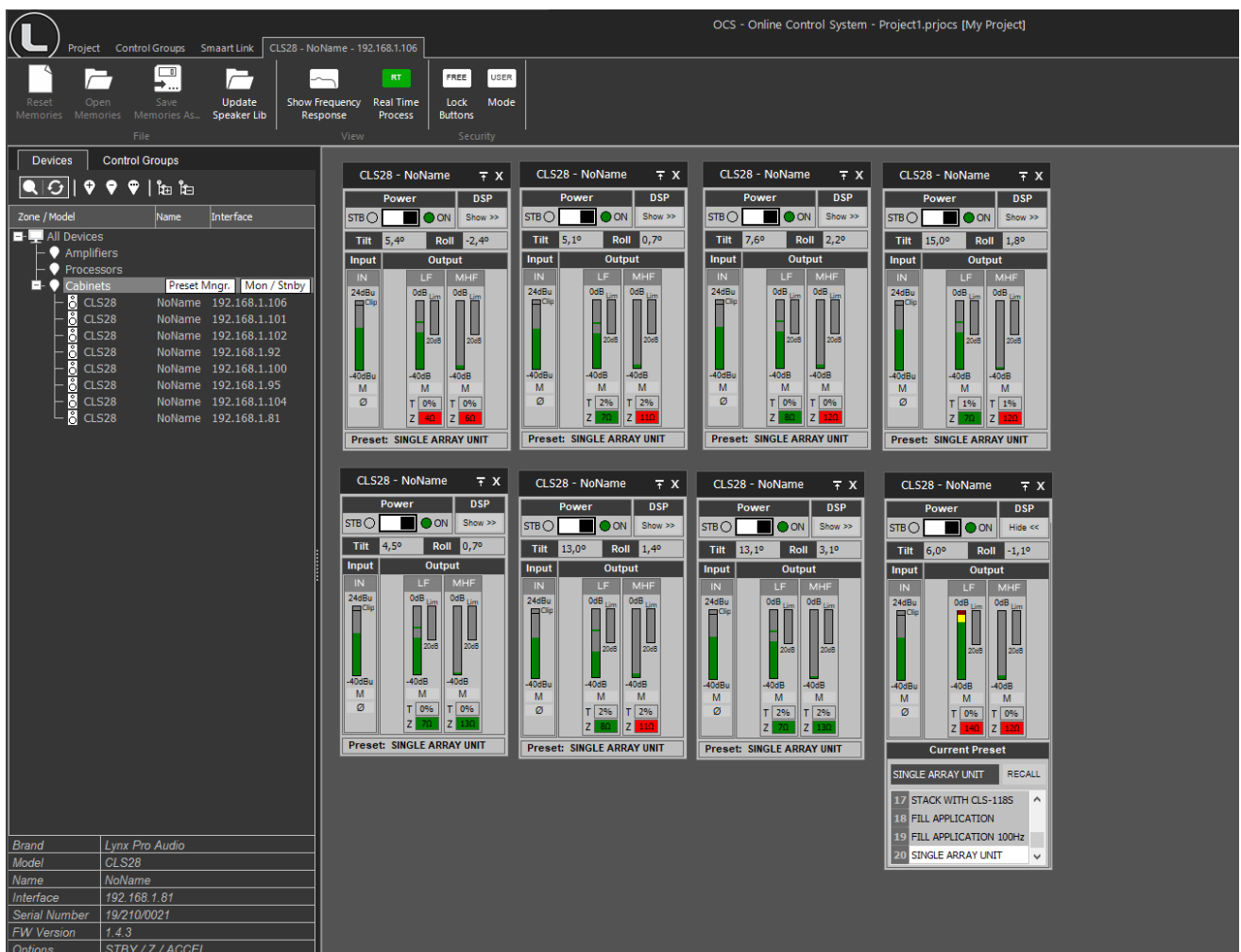
Obtain detailed information of cabinet behaviour and monitor the cabinet/s in real time. You can change the preset, gain, mute, polarity and phase. You can also activate the air absorption compensation and select the «SOLO» mode.

- How does it work?

Via Ethernet (cable or wireless). Once installed, the O.C.S. software automatically detects all the cabinets connected to the network and displays them in the O.C.S. window on the users PC.

- What does it show?

As well as displaying the cabinet model and IP address the O.C.S will be monitoring in real time and the user will be able to view RMS levels, Input clip, power module temperature, compression levels, air absorption compensation and cabinet angulation.



RAINBOW 3D Acoustic Prediction Software

Lynx Pro Audio's R&D department is working on Rainbow 3D, a new acoustic simulation software with dynamic 3D features. With a sophisticated design, Rainbow 3D stands out for its speed, being able to provide a simulation in just a few seconds. It also provides algorithms for beam steering and optimizing the listening area.

- **Designed from scratch by professionals**

Rainbow 3D has been programmed from scratch by Lynx Pro Audio engineers, using new programming procedures that achieve an effective simulation with really low calculation time.

- **Multiple listening zones**

The program can simulate all Lynx Pro Audio's acoustic enclosures located in a 3D space, including the classic side, top and front views. It can also define multiple listening zones and allows offset positioning and symmetry. Blueprint images, textures and PNG format pictures can be imported.

- **Unlimited sound sources**

Allows the acoustic simulation for an unlimited number of sound sources and audio systems. You can place as many systems (subwoofers, line arrays, columns and individual boxes) as you desire. Also, the line arrays can be placed in stack or flown configuration.

- **Beam steering**

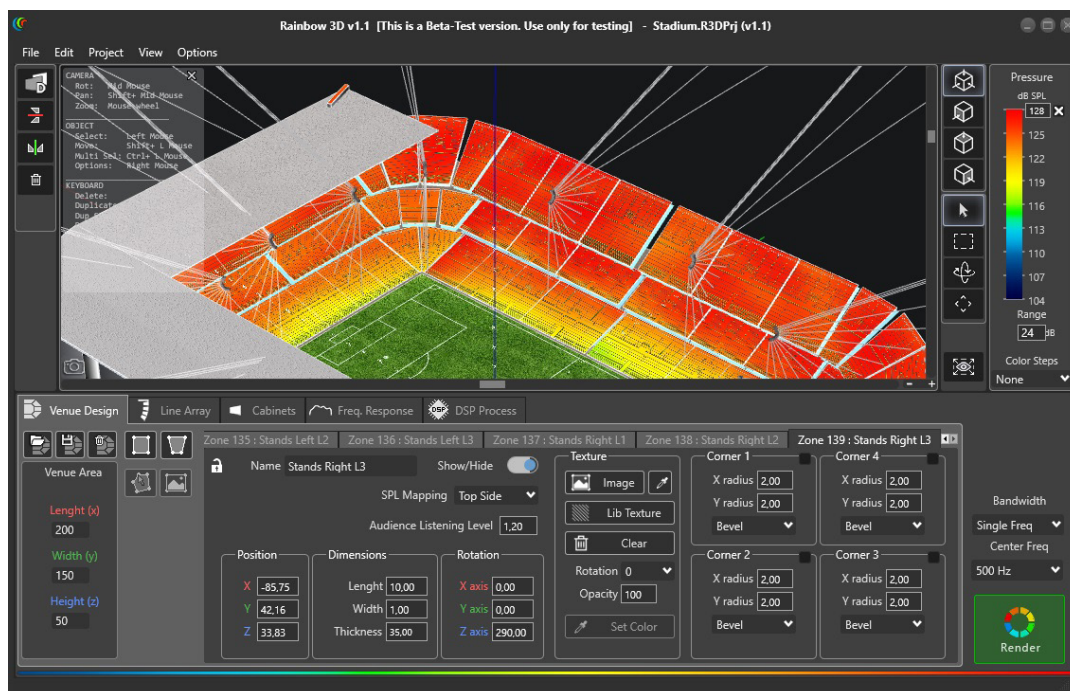
Rainbow 3D has the ability to add DSP processing to the simulation and uses algorithms to control the directivity (beam steering) in columns, without the need to tilt them physically, being able to divide the column into several beams that point to different zones.

- **Accurate optimization thanks to FIR filters**

Optimized algorithms are used in the listening area to improve the sound coverage and the frequency response. This feature can be executed in a matter of seconds. Additionally, the export of FIR coefficients can be performed with the optimization for later loading in the DSP via Ethernet or a USB device. In the near future direct communication with Lynx Pro Audio and OCS will be available.

- **Multiple measures and tools**

Likewise, the R&D department is developing multiple measurement and analysis tools for the calculated data. For example, the sound pressure curves (SPL) in the listening areas and the capture of virtual measurements that show the frequency response in the points of location indicated and added. Among other tools you will find autoplay and a wizard to set up different subwoofer arrangements.





DECLARATION OF CONFORMITY

Lynx Pro Audio S.L.
Calle 1 - Pol. Ind. Picassent
46220 Picassent (Valencia)
SPAIN - EU
Tel.: (+34) 961 10 96 01
www.lynxproaudio.com

Lynx Pro Audio S.L. declares that ionic series are in conformity with the following EC directives:

Low Voltage Directive	2006/95/EC
Electromagnetic Compatibility EMC	2004/108/EC
RoHS Directive	2002/95/EC

In accordance with Harmonized European Norms:

EN 60065:2002	Audio, video and similar electronic apparatus. Safety requirements
EN 55103-1:1996	Electromagnetic compatibility. Product family standard for audio, video, audiovisual and entertainment lighting control apparatus for professional use. Part 1: Emission.
EN 55103-2:1996	Electromagnetic compatibility. Product family standard for audio, video, audiovisual and entertainment lighting control apparatus for professional use. Part 2: Immunity.
GXR models:	GXR-LA210A / GXR-D15A / GXR-D18A / GXR-215 / GXR-15 / GXR-12 / GXR-18S



LYNX PRO AUDIO GUARANTEE

Lynx products are guaranteed against every kind of manufacturing fault 2 year after the date of sale. When products are under guarantee, the repairing and the free supplying of the device parts in order to correct any kind of defect are guaranteed by Lynx Pro Audio S.L. In the case that the product could not be returned to the factory for checking and repairing, Lynx Pro Audio S.L. would supply all the necessary parts.

Lynx Pro Audio S.L. is not responsible for any damage or defect caused during the transport or caused by an undue or improper handling by a non-authorized person during the life of this guarantee.

All our products undergo rigorous tests and quality controls. We guarantee the characteristics described here within and their quality against any fabrication defect.

The user loses all warranty rights if he incorporates or carries out any modification to the product, if he uses it outside of the stated safe working loads or does not secure the system properly using all the pins in their corresponding holes.

For any question regarding the product, the user must quote the model and serial number.

WEEE Declaration: Electrical and electronic equipment must be disposed of separately from normal waste at the end of its operational lifetime. Please dispose of this product according to the respective national regulations or contractual agreements. If there are any further questions concerning the disposal of this product please contact Lynx Pro Audio S.L.