

High Output, self powered (Class D switch mode power supply), two-way cabinet.DSP (FIR technology) controlled with 1500W amplification, 136db SPL.



### Key features

- Class D powered (bi-amplified)
- Integrated Digital Processing
- Internal temperature control
- Electronic protection
- FIR linear phase filtering
- Online monitoring available
- Two way active system

### Applications

- Theatres & auditoriums
- Houses of worship
- Small / middle sized clubs
- Front fill / side fill reinforcement
- Smaller live stages / events
- Portable sound reinforcement

## General description & specifications

The versatile ADP-12 is part of the ADP Self powered, DSP integrated Series. It has been designed to offer the utmost sound reinforcement reliability, incorporating the latest acoustical and electronic technology and delivering incredible, dynamic sound.

The ADP-12 is an extremely high power, two-way full range cabinet providing exceptional performance. For the low-mid frequencies it uses one 12" (4" interleaved sandwich voice coil) neodymium transducer with nomex cones and suspension. The high frequencies are looked after by a 1.4" compression driver with a 4" titanium diaphragm mounted on a 80° x 50° constant directivity rotatable aluminium horn.

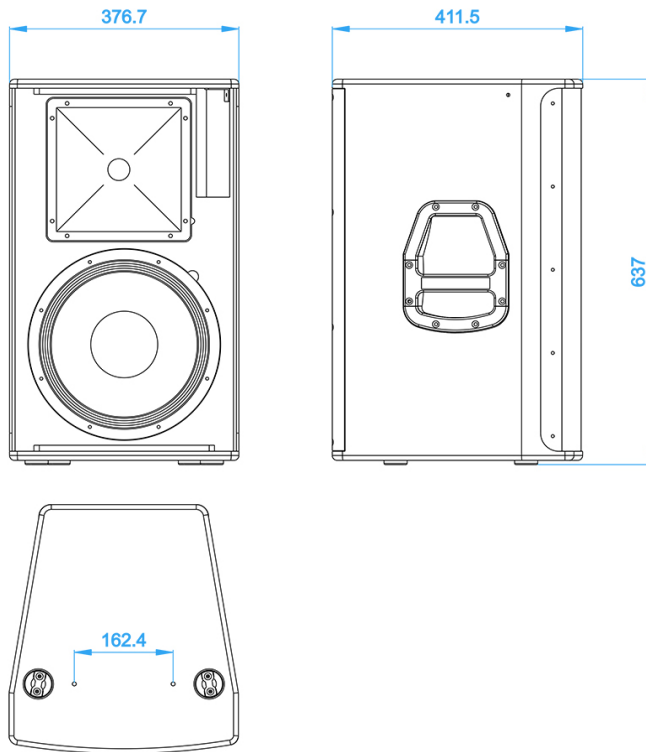
The ADP-12 is powered with a total of 1500W of class D amplification, 750W for the low/mid frequencies and 750W for the high frequencies. Each cabinet has a DSP integrated for system protection and optimization. This DSP applies linear phase (FIR) and classic crossovers. Other features include temperature sensor, Ethernet options and many more.

The compact ADP-12 has an unbeatable power to size ratio, there is no need for external amplification racks, is very light weight and is the ideal solution for portable or fixed sound reinforcement. A variety of rigging options make the ADP-12 easy to set-up in minimal time. To extend the low frequency response, the ADP-18S or ADP-12S sub bass cabinet can be used.



## Technical Data

<b>Components</b>	
• LF/MF	1 x 12" neodymium (4" Interleaved Sandwich voice coil)
• HF	1.4" titanium diaphragm driver
<b>Frequency range</b>	60 Hz – 20 KHz (-10dB)
<b>Frequency response</b>	65 Hz – 18 KHz (± 3dB)
<b>Max SPL</b>	133 dB / 136 dB peak
<b>Coverage angle</b>	80° H x 50° V rotatable horn
<b>Power</b>	1500 W Class D LF amplifier: 1 x 750 W HF amplifier: 1 x 750 W
<b>Processing</b>	56 bit Lynx DSPB-22 with FIR filters
<b>Cabinet adjustment</b>	Back panel LCD
<b>Control connections</b>	XLR / Ethernet (OCS) optional, USB (DSP programming)
<b>AC Power</b>	230V / 115V selectable. 50/60 Hz 5A
<b>AC connections</b>	16A Neutrik powerCon TRUE1 with looping output
<b>Finish</b>	Polyurea coating, black colour
<b>Material</b>	15 mm premium birch plywood
<b>Dimensions</b>	637 x 376 x 411 mm (H x W x D)
<b>Weight</b>	28 kg (62 lbs)

## Dimensional Drawing



## Accessories

	CS-1215	Cluster support for ADP-12
	SB-02	35mm lightweight aluminium stand for the ADP-12
	SC-FC1	Lightweight install stud for the ADP-12
	TU-C01	35mm connecting pole for satellite combination between sub units and ADP-12
	TU-C02	M20 pole support combination between sub units and ADP-12. With safety lock
	VSM-V1	35mm speaker mounting top hat for ADP-12 with the ADP-18S or ADP-12S
	WB-03	Wall bracket for the ADP-12 for top hat insertion
	FD-ADP12NL	Rain cover for ADP-12

## Amplification & DSP

Bi-amplified Class D with switching power supply. Includes one 750W power module for the 12" transducer and one 750W power module for the HF driver.

The amplification far exceeds the transducer need thus resulting in high output, high damping factor and extremely low levels of distortion.