

ADP-12S



DATA SHEET

pag.1/2 V.06.17

- ▶ Class D Powered
- ▶ Integrated Digital Processing
- ▶ Internal temperature control
- ▶ Electronic protection
- ▶ High quality components
- ▶ Online monitoring available
- ▶ Bass reflex sub unit



APPLICATION:

- Front fill/ Side fill/ reinforcement
- Smaller clubs/ discos
- Smaller Live stages/ events
- Portable installation

GENERAL DESCRIPTION:

The compact ADP-12S sub bass cabinet is part of the ADP Self powered, DSP integrated Series. It has been designed to offer the utmost sound reinforcement reliability, incorporating the latest acoustical and electrical technology and delivering incredible, dynamic sound.

The ADP-12S is an extremely high power sub bass cabinet providing exceptional low frequency reinforcement for the ADP Full range cabinets. It uses one 12" (4" ISV voice coil) neodymium transducer with double spider (for improved linearity) in direct radiation bass reflex configuration.

The ADP-12S is powered with a total of 1000W of class D amplification. Each cabinet has a DSP integrated for system protection and optimization. Other features include temperature sensor, fan speed control, Ethernet options and many more.

The ADP-12S has an unbeatable power to size ratio, there is no need for external amplification racks, is very Light weight and as such is the ideal solution for portable or fixed sound reinforcement enabling quick and easy set-ups. An integrated pole mount enables easy satellite configuration with the ADP full range cabinets.

SPECIFICATIONS:

FREQUENCY RANGE	40Hz -180Hz
FREQUENCY RESPONSE	45Hz- 150Hz ± 3dB
COVERAGE	360° one unit
MAX SPL	131dB/ 134dB peak
TRANSDUCER	12" Custom Neodimium + 4" ISV voice coil
CONFIGURATION	Bass-reflex, Direct radiation
POWER AMPLIFIER	1000W Class D with Switching Power supply
DSP	Internal LYNX digital processor DSPB-22®
CABINET ADJUSTMENT	Back panel LCD screen
INTERNAL CONTROLS	Temperature sensor / Fan Speed control
SIGNAL CONNECTION	NEUTRIK connectors XLR Male Input XLR Female Loop Thru
CONTROL CONNECTIONS	USB (DSP programming), ETHERNET* (Online Control System OCS®)
AC POWER	230v / 115v selectable. 50/60 Hz 5A
AC CONNECTIONS	16A NEUTRIK POWERCON with Looping Output
CONSTRUCTION	18 mm Premium Birch plywood
FINISH	High resistant water-based black paint
FRONT DESIGN	Black antirust steel grille
DIMENSIONS (H x W x D)	495 x 380 x 644 mm
WEIGHT	29 Kg (64 lbs)

* Ethernet connection is optional.

KEY FEATURES AND BENEFITS:

SELF POWERED

1000w Class D with switching power supply amplifier for the 12" transducer. The amplification far exceeds the transducer needs thus resulting in high output, high damping factor and extremely low levels of distortion.

DIGITAL PROCESSING & DOUBLE DYNAMICS

Latest generation 24bit/96Khz digital processor which optimizes the system components. It includes 2 channel processing electronics with functions for phase correction, driver protection, gain control, equalization and crossover, using double precision filters with 56bit internal processing. This enables a noticeable reduction in distortion with clean and clear equalization. The DSP incorporates sophisticated double protection limitation; RMS and Peak. The RMS limiter is used to adjust the transducer reproduction level, maintaining the original dynamics whilst at the same time respecting the original transients and achieving a better acoustical result. The Peak limiter controls the movement of the speaker, protecting it from any damage and also reducing distortion caused by over-excursion. These double dynamics lower levels of distortion and provide protection for all the speaker components and internal electronics.

TEMPERATURE & PROTECTION CONTROL

Via internal sensors a micro controller analyzes in real time the temperature of each power module. It then automatically adjusts the fan speed to apply the correct temperature dissipation, reducing both the speed of the fan and the noise generated leaving the system as quiet as possible.

COMPONENTS

Low frequency transducer with rubber surround, Doped Nomex® suspension, double spider for improved control and linearity and a 4" Interleaved sandwich voice coil. Weather protected membrane for outdoor use.

HARDWARE

Cabinet constructed from premium birch plywood and finished with high-resistant water based black paint.

SOFTWARE:



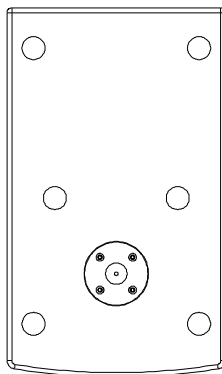
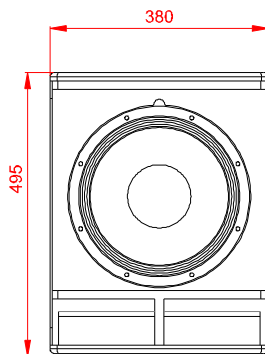
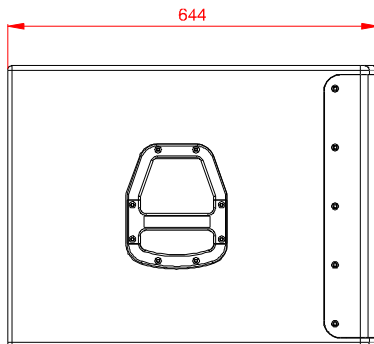
- ONLINE CONTROL SYSTEM

Offers detailed system information for each cabinet and via ethernet or PC and controls the cabinet/s in real time.



- RAINBOW

Acoustical Prediction software for accurate loudspeaker planning offering both horizontal and vertical views.



Dimensions in mm.