

Ultra-compact Direct radiation bass reflex passive subwoofer with one 10" transducer, 2,5" voice coil and rubber suspension. 119 dB SPL, 600 W program



### Key features

- Ultra-compact light weight
- Wall, ceiling and floor installation
- Background sound reinforcement
- LUKA processor optimised preset
- Black, white and RAL colour optional
- Rugged design

### Applications

- Club & bar installations
- Live Sound
- Houses of worship
- Multi media spaces
- Theatres
- Broadcast
- Public address

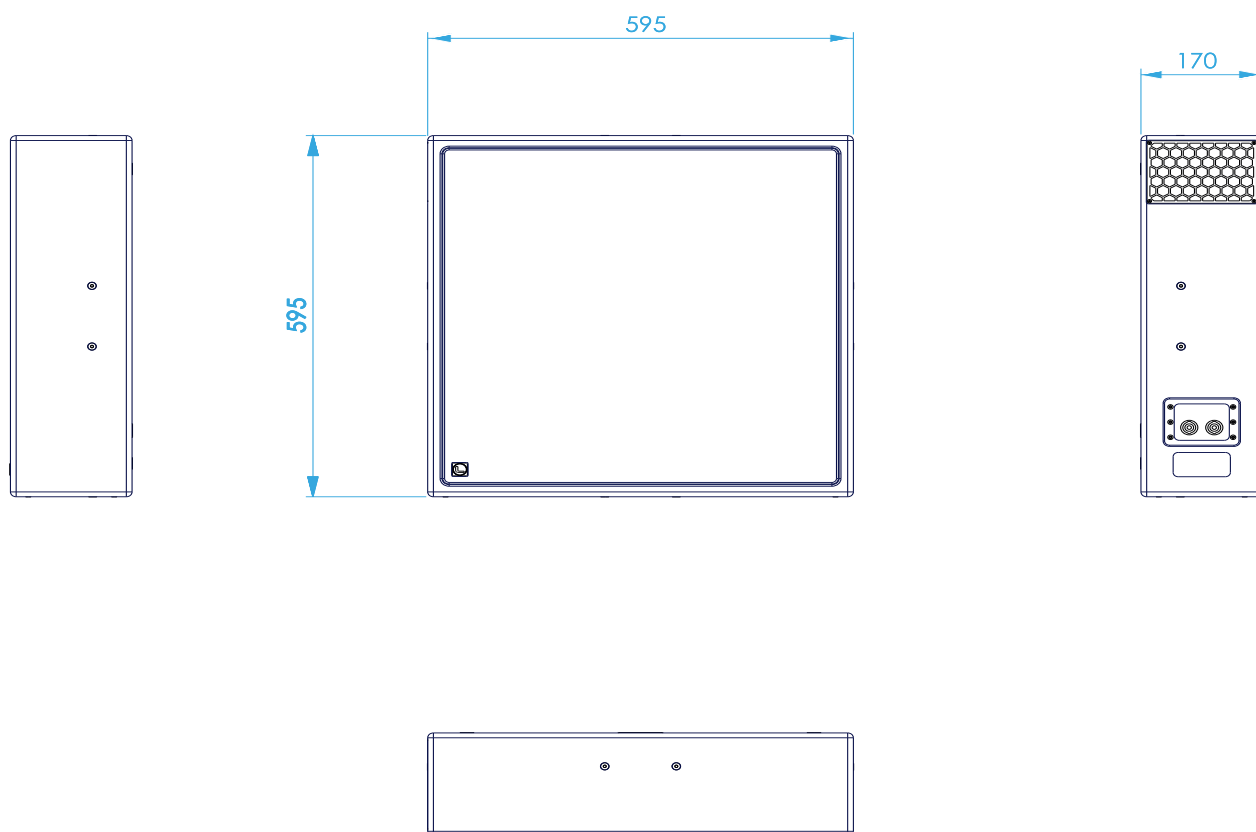
## General description & specifications

The CPS-F10S is an ultracompact, light weight, flat design, passive subwoofer, offering high-performance for background sound applications. Thanks to the discrete design, it can be installed in multiple applications. It features a 10" transducer with rubber surround, and it's made from 15 mm premium birch plywood and coated polyurea paint

## Technical Data

Components	1 x 10" transducer 2,5" voice coil
Frequency range	30 Hz – 90Hz (-10dB) ( X90Hz)
Frequency response	36 Hz – 80Hz (± 3dB) ( X90Hz)
Sensitivity	91 dB (1W@1m)
Rated power	300 W AES, 600 W program, 1200 W Peak
Max SPL	116 dB – 122 dB peak ( X90Hz)
Coverage	QUASI Omnidireccional
Nominal Impedance	8 Ω
Connectors	2 X NEUTRIK Speakon NL4 Pin connections: +1 / -1 input +1 / -1 link
Finish	Polyurea coating - available in RAL colous on demand
Material	5 mm premium birch plywood
Dimensions	595 x 595 x 170 mm (H x W x D)
Weight	18 Kg
Fittings	8 x M6 U bracket, 2 x M6 wall bracket

## Dimensional Drawing



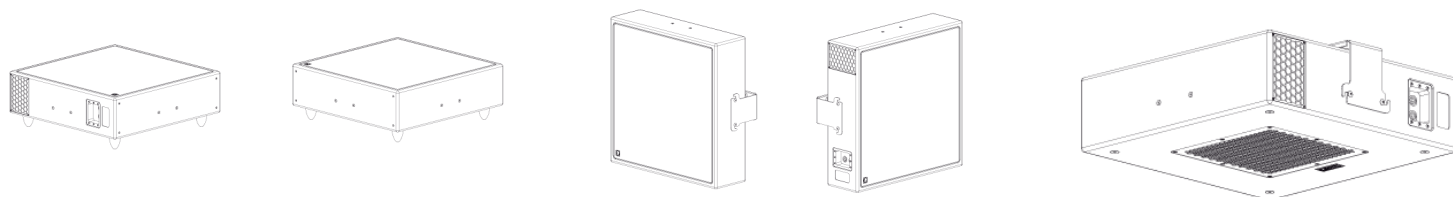
## Accessories



UBR-CPSF10S

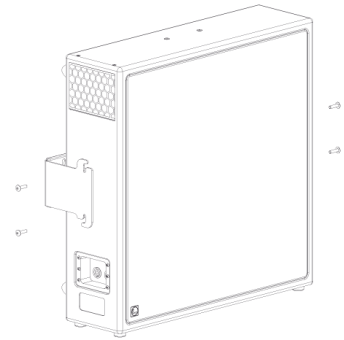
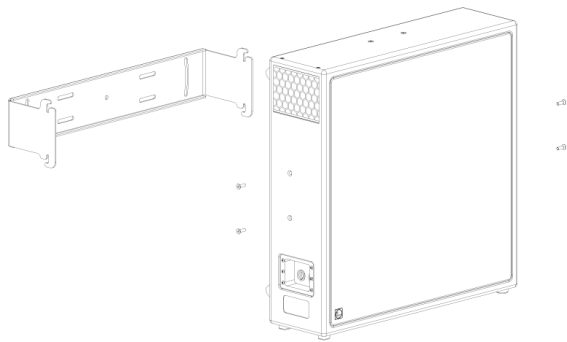
Bracket for CPS-F10S

## CPS- F10S Configurations



## WALL BRACKET

---



## CEILING BRACKET

---

