

8-inch subwoofer ceiling mount loudspeaker system.

Key features

- 8" transducer for extended Low Frequency
- Loudspeaker designed for augment the low frequency response of any CS ceiling speaker
- 80W AES @ 8Ω
- Low-impedance and high-impedance
- Power selector: 50/25W 100v (12.5W @70V) 8Ω
- Easy install

Applications

- Corporate training rooms, ballrooms
- Convention centers, exhibit halls, Houses of worship
- Malls, airports, nightclubs, bars and restaurants
- Auditorium, museums



General description & specifications

The CS-8SUB is an in-ceiling loudspeaker subwoofer with a great sound performance. It features a 8" woofer with 80W AES in a low impedance and it's a loudspeaker designed for extended the low frequency of the CS ceiling speakers.

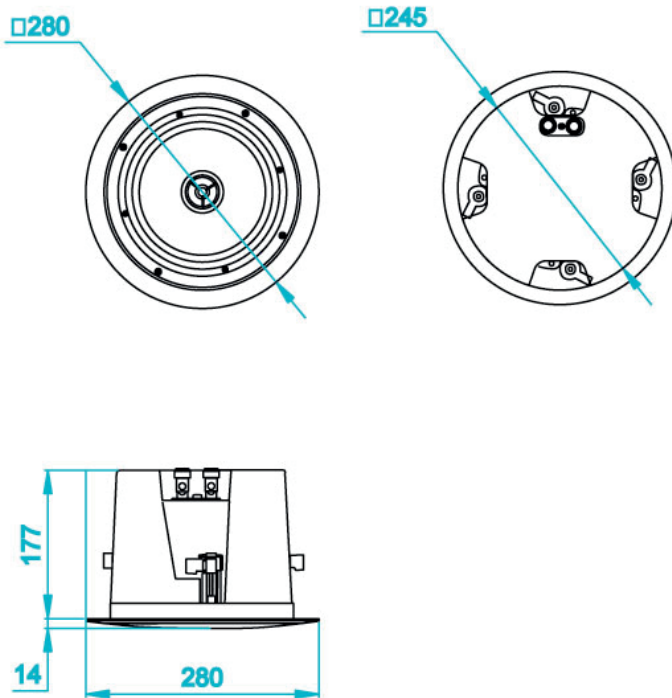
The baffle, bezel and rear enclosure are constructed from ABS. The rear enclosure adds damping material, providing an optimum internal volume for extended low-frequency performance.

It uses a 100V / 70V Line transformer that offers a selection of 50/25W (1.9W @ 70V) delivered to the louspeaker system using high impedance lines or 8Ω bypass.

Technical Data

Components	8" 200 mm polypropylene cone
Frequency range	60 - 150 Hz (-10 dB)
Rated power	80W (8 Ω) 220W Peak
Transformer taps	100V 50 / 25W 70V 50 / 25 / 12.5 W Low Impedance 8 Ω
Max SPL	8 Ω 109 dB 100V / 70V 107 dB
Sensitivity	90 dB 1W / 1m @ Zn
Nominal impedance	8 Ω
Nominal coverage	180°
Recommended Signal Processing	40 Hz, at 24 dB per octave high pass filter
Crossover frequency	150 Hz
Enclosure material	ABS
Grille	Powder coated steel, white finish, paintable
Colour	White
Dimensions H x Diameter	177 mm x 280 mm (6.9 in x 11 in)
Cut out size	245 mm (9.6 in)
Net weight	4 Kg (8.8 lbs)

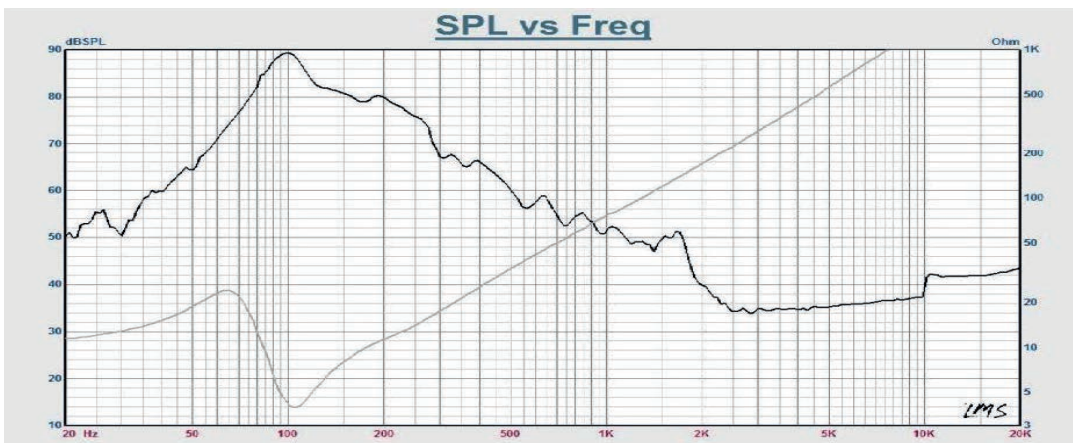
Dimensional Drawing



Dimensions in millimeters.

Frequency response

1/6 Octave Smoothing, 1w@1m, anechoic chamber, half space.



Architectural specifications

The loudspeaker system shall be subwoofer ceiling loudspeaker system with a 8" low frequency transducer. The speaker baffle shall be constructed in ABS material with a white finish and ABS back can with terminal connection integrated.

The system shall have an frequency response of 60 Hz to 200Hz (-10dB) and a nominal low impedance of 8 Ω. The sensitivity shall be 90 dB SPL at 1 meter on axis with 1 watt of pink noise. The loudspeaker system shall have a conical coverage pattern of 180°. The nominal system impedance shall be 8 ohms.

The system shall be equipped with a 50W line transformer used in 70V or 100V with 50W, 25W and 12.5W taps available in 70V distributed systems and 50W and 25W taps available in 100V distributed systems.

The power rating shall be 80W AES used in a low impedance 8 Ω. The loudspeaker shall be 177mm (6,9") in diameter and 280mm (9.6in) deep. Weight shall be 4kg (8.8lb).

Lynx Pro Audio reserves the right to make changes or improvements in the design or the manufacturing that may affect these product specifications without notice.