

High output, self powered (class D switch mode power supply with PFC), omni-directional subwoofer cabinet. 18" (4" ventilated voice coil) neodymium transducer. DSP controlled with 1400W amplification, 132dB SPL.



Key features

- Class D Powered
- Integrated Digital Processing
- Internal temperature control
- Electronic protection
- Online monitoring available

Applications

- Live events
- Houses of worship
- Fixed installations
- Clubs
- Theatres
- Touring

General description & specifications

High output, self powered (class D switch mode power supply with PFC), omni-directional subwoofer cabinet.

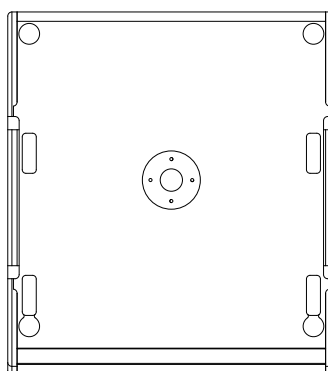
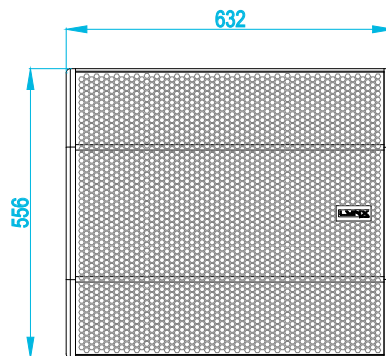
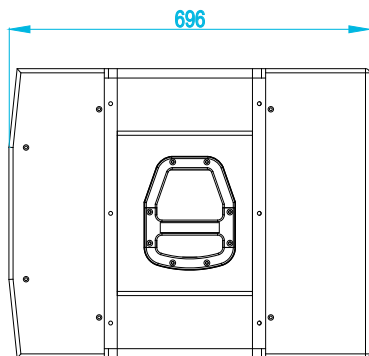
The CXA-18S is a self-powered subwoofer enclosure specially designed to reinforce the low frequencies of the CXA-12 linear array elements.

Consists of a 18" (4" ventilated voice coil) neodymium transducer. DSP controlled with 1400W amplification, 132dB SPL.

Technical Data

Components	
• LF:	LF: 18", 4" voice coil, Neodymium magnet assembly
Frequency range	30 Hz - 140 Hz (-10dB)
Frequency response	35 Hz - 125 Hz (± 3dB)
Max SPL	132 dB
Coverage angle	Omnidirectional
Power	1400 W Class D with switching power supply & PFC LF amplifier: 1 x 1400 W
Processing	48 KHz / 56 bit double precision DSP
Control	User control interface with LCD
Control connections	Ethernet (OCS) optional / USB (DSP programming)
AC Power	90 – 264V. 50/60 Hz with PFC
AC Connectors	16A Neutrik powercon true1 with looping output
Finish	Polyurea coating, high grade resistant paint
Material	18 mm Premium birch plywood
Dimensions	556 x 632 x 696 mm (H x W x D)
Weight	45 Kg (99 lbs)

Dimensional Drawing



Accessories

	BALL-PSR6	Ball pin with thread for CXA-12 and CXA-18S cabinets
	SV-CXA	Flying frame for the CXA-18S with a capacity for rigging of up to 4 cabinets
	GR-18WKIT	Four wheel kit
	FD-1CXA18SNL	Rain cover for the back panel of the CXA-18S
	FC-3CXA18S	Flight case to transport three CXA-18S