

Medium power, subwoofer cabinet with one 18" low frequency in bass reflex, direct radiation configuration. 135dB SPL (1200W Program).



### Key features

- Incredible size to power ratio
- Versatile sound reinforcement
- High performance 1200 W
- ARK processor optimised preset

### Applications

- Club & bar installations
- Sound reinforcement
- Theatres
- Houses of worship
- Multi media spaces
- Public address

### General description & specifications

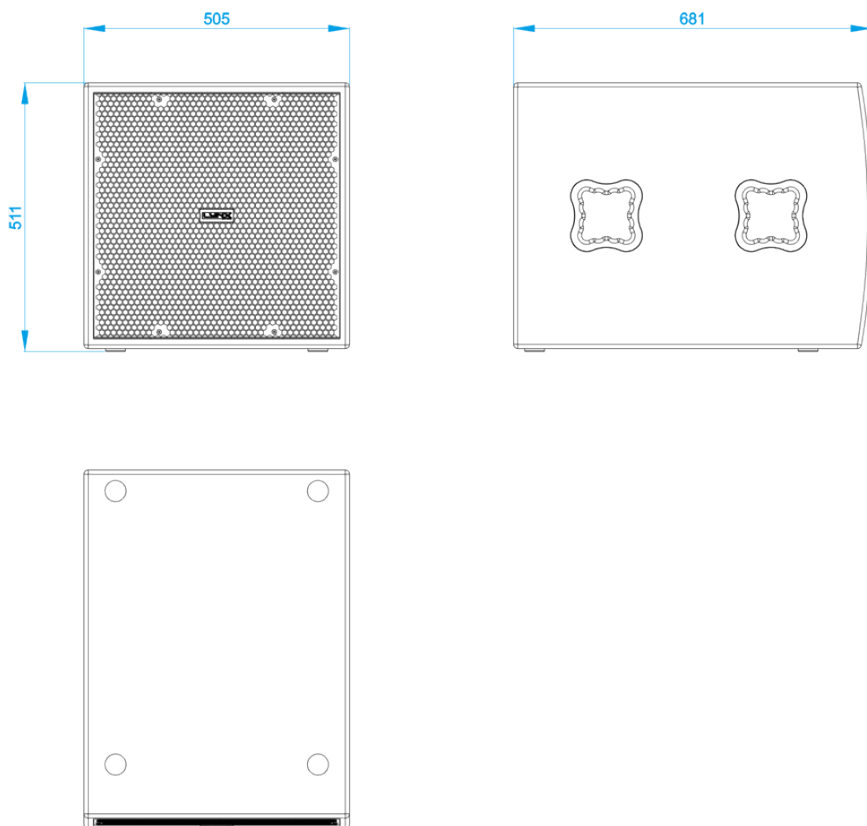
The HR-18/6 is a compact subwoofer with a great power-volume-weight ratio. This cabinet is designed to work together with the full range units of the HR series, offering significant reinforcement for the low frequencies.

Medium power, subwoofer cabinet with one 18" low frequency in bass reflex, direct radiation configuration. 135dB SPL (1200W Program)

### Technical Data

Components	
• LF	1 x 18", 3" copper voice coil
Frequency range	40 Hz – 200 Hz (-10dB)
Frequency response	46 Hz – 200 Hz (± 3dB)
Sensitivity	101 dB (1W@1m) π
Max SPL	129 dB – 135 dB Peak
Coverage Angle	Omnidirectional
Power	600 W (1200 W program, 2400 W peak)
Crossover	Active
Nominal impedance	8 Ω
Connectors	2 x Neutrik Speakon NL4MP
Finish	Polyurea coating - other colours (RAL) available
Material	18 mm premium birch plywood
Dimensions	511 x 505 x 681 mm (H x W x D)
Weight	32 Kg (70.5 lbs)

### Dimensional Drawing

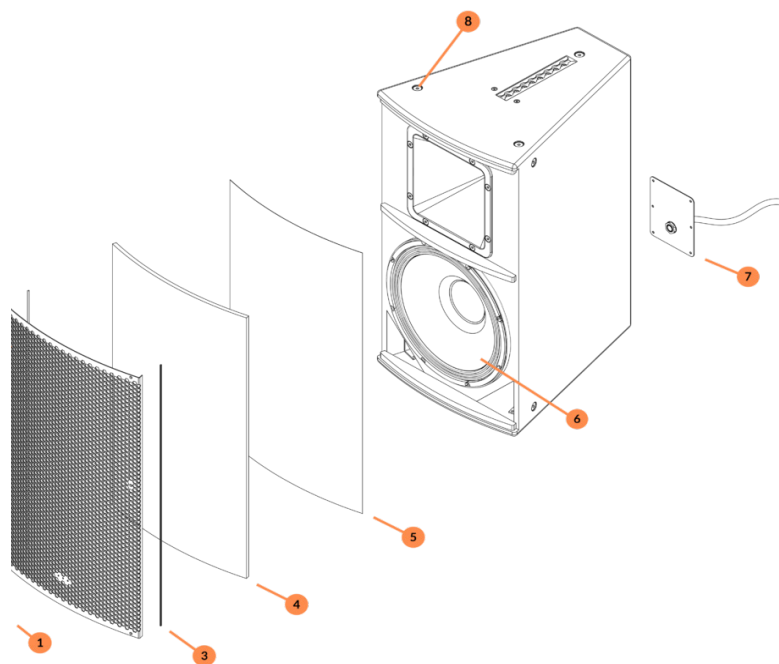


### Marine Grade Option

This cabinet is also available for Marine environments, such as cruise ships for example. Our Marine option speakers are designed to withstand harder weather conditions, where the cabinets are exposed to the elements.

#### Colours:

Black polyurea coating with microtextured metal parts. RAL available on request. Polyurea coating with aliphatic colour paint.



1. Anodized aluminium logo for durability outdoors.
2. Stainless steel 1 mm 316 L grill. Also available in aluminum with protective layer and micro textured paint.
3. Weatherstrip edging for extreme protection.
4. Acoustex filter: hydrophobic polyester sheet to prevent the penetration of water and external elements produced by extreme weather conditions.
5. 35 ppi Acoustic foam to protect against dust particles.
6. Waterproof protected cone on both sides
7. Aluminum back plate with pressure gland for an extra tight connection and easy installation.
8. M10 stainless steel 316 L screws (A4).