

HR-206 (64/96/124)



High performance, ultra-compact, full range, two way bi-amp/ passive cabinet. It offers a wide dispersion of 60° x 40° / 90° x 60° / 120° x 40° and 122dB SPL (800W program).



Key features

- Ultra-compact light weight
- Versatile sound reinforcement
- High performance
- ARK processor optimised preset
- Multiple rigging/ mounting options

Applications

- Club & bar installations
- Sound reinforcement
- Theatres
- Houses of worship
- Multi media spaces
- Public address

General description & specifications

The HR-206 enclosure is a high-performance passive full range, with an excellent power-size ratio. It consists of two 6.5" transducers (at 8ohm impedance) and a 1" high frequency compression driver.

Different models available depending on the wide dispersion: 60° x 40° (HR-206/64)/ 90° x 60° (HR-206/96) / 120° x 40° (HR-206/124).

This enclosure offers a selectable operation between bi-amp or passive mode and is ideal for a wide variety of applications and has several accessories that provide an easier installation. Although this cabinet can be used without a processor, we strongly recommend that the cabinet presets are applied for maximum optimization and performance.

For Low Frequency reinforcement, several subwoofer options are available.

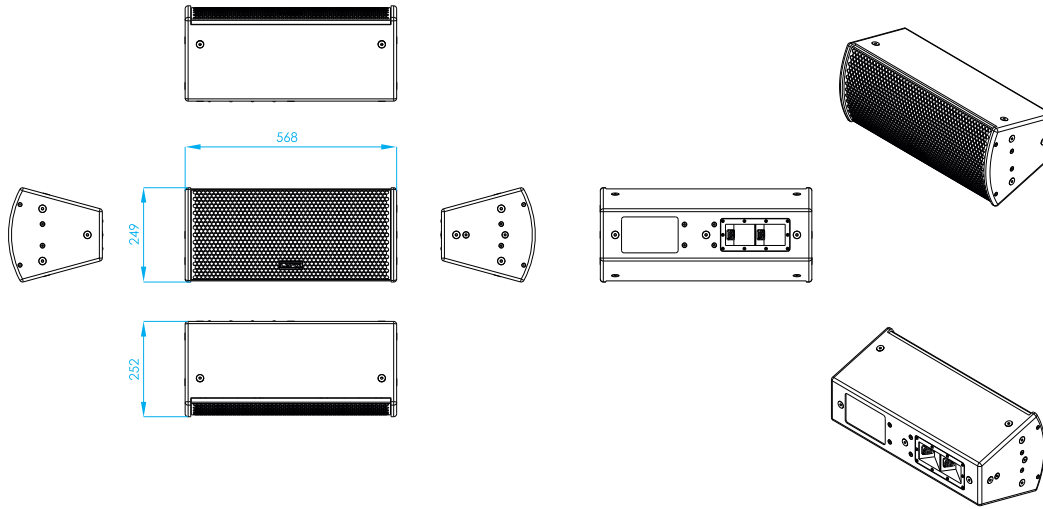
Technical Data

Components	
• LF	2 x 6.5", 2" voice coil
• HF	1" Exit compression Driver, 1.5" aluminium voice coil, High Temperature Polymer
Frequency range	72 Hz – 20 KHz (-10dB)
Frequency response	78 Hz – 20 KHz (± 3dB)
Sensitivity	Passive Mode: 90 dB (1W@1m)
Max SPL	Passive Mode: 116 dB – 122 dB Peak Bi-Amp LF: 116 dB – 122 dB Peak Bi-Amp HF: 128.5 dB – 134.5 dB Peak
Coverage Angle	60° x 40° / 90° x 60° / 120° x 40° rotatable horn
Power	Passive mode: 400 W (800 W program, 1600 W peak) Bi- Amp LF: 400 W (800 W program, 1600 W peak) Bi-Amp HF: 70 W (140 W program, 280W peak)
Crossover	Bi-Amp / Passive (Selectable)
Nominal impedance	8 Ω – also available in 4 Ω
Connectors	2 x Neutrik Speakon NL4MP
Finish	Polyurea coating, black colour
Material	15 mm premium birch plywood
Dimensions	249 x 568 x 252 mm (H x W x D)
Weight	15 Kg (33 lbs)

HR-206 (64/96/124)



Dimensional Drawing



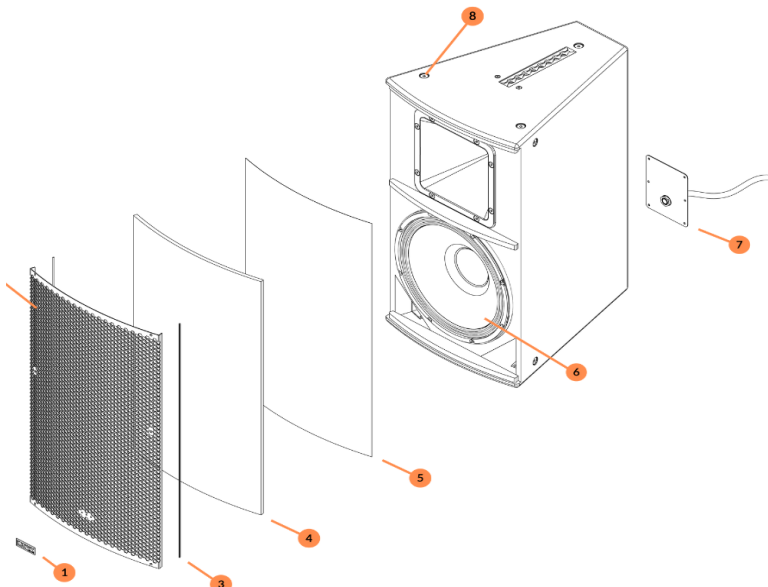
Accessories

	AGR-10	Eye bolt for the HR-206
	UBR-HR26	Horizontal bracket for the HR-206
	WB-20/2	Wall bracket for HR-206
	NOTE: This cabinet is compatible with Konig & Meyer 195/8 mounting adapter for speaker stands with tube diameter 35 mm. This accessory is not provided by Lynx Pro Audio.	

Weather-resistant version

Our Weather-resistant speakers are designed to withstand harder weather conditions, where the cabinets are exposed to the elements. RAL available on request. Polyurea coating with aliphatic colour paint.

Colours:
Black polyurea coating with microtextured metal parts.



1. Anodized aluminium logo for durability outdoors.
2. Stainless steel 1 mm 316 L grill. Also available in aluminum with protective layer and micro textured paint.
3. Weatherstrip edging for extreme protection.
4. Acoustex filter: hydrophobic polyester sheet to prevent the penetration of water and external elements produced by extreme weather conditions.
5. 35 ppi Acoustic foam to protect against dust particles.
6. Waterproof protected cone on both sides
7. Aluminum back plate with pressure gland for an extra tight connection and easy installation.
8. M10 stainless steel 316 L screws (A4).