

Medium power, subwoofer cabinet with dual 18" low frequency transducers in bass reflex, direct radiation configuration. 142dB SPL (4000W Program).



Key features

- Incredible size to power ratio
- Versatile sound reinforcement
- High performance 2000 W
- ARK processor optimised preset

Applications

- Club & bar installations
- Live sound
- Theatres
- Houses of worship
- Multi media spaces
- Public address

General description & specifications

The HR-218 / 20 is a high performance passive subwoofer designed to work in conjunction with the full range of the HR series, offering a powerful reinforcement for low frequencies.

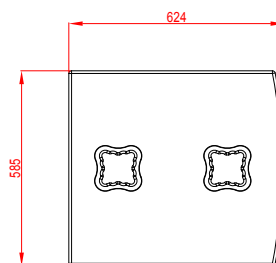
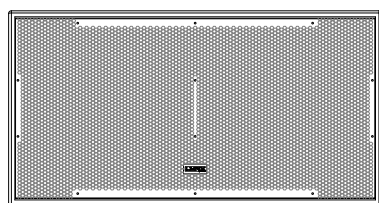
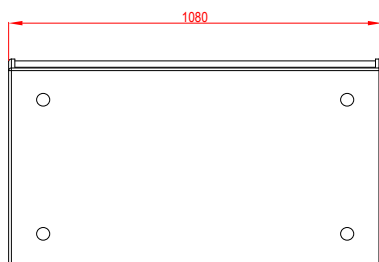
This enclosure offers an excellent power-volume-weight ratio, being a very versatile subwoofer in all types of installation projects.

Medium power, subwoofer cabinet with dual 18" low frequency transducers in bass reflex, direct radiation configuration. 142dB SPL (4000W Program).

Technical Data

Components	
• LF	2 x 18", 3" copper voice coil
Frequency range	40 Hz – 200 Hz (-10dB)
Frequency response	46 Hz – 200 Hz (± 3dB)
Sensitivity	105 dB (1W@1m) π
Max SPL	136 dB – 142 dB Peak
Coverage Angle	Omnidirectional
Power	2000 W (4000 W program, 8000 W peak)
Crossover	Active
Nominal impedance	4 Ω
Connectors	2 x Neutrik Speakon NL4MP
Finish	Polyurea coating - other colours (RAL) available
Material	18 mm premium birch plywood
Dimensions	585 x 1080 x 624 mm (H x W x D)
Weight	68 Kg (150 lbs)

Dimensional Drawing



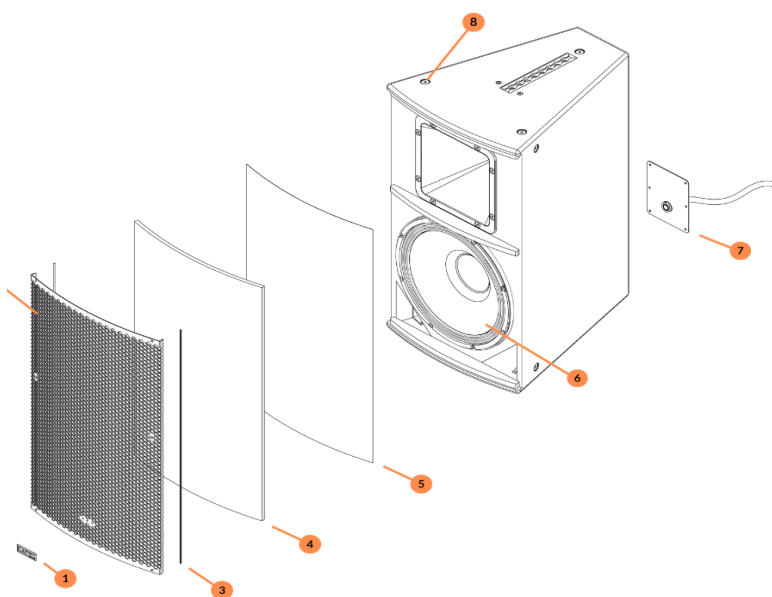
Weather-resistant version

Our Weather-resistant speakers are designed to withstand harder weather conditions, where the cabinets are exposed to the elements.

RAL available on request. Polyurea coating with aliphatic colour paint.

Colours:

Black polyurea coating with microtextured metal parts.



1. Anodized aluminium logo for durability outdoors.
2. Stainless steel 1 mm 316 L grill. Also available in aluminium with protective layer and micro textured paint.
3. Weatherstrip edging for extreme protection.
4. Acoustex filter: hydrophobic polyester sheet to prevent the penetration of water and external elements produced by extreme weather conditions.
5. 35 ppi Acoustic foam to protect against dust particles.
6. Waterproof protected cone on both sides
7. Aluminum back plate with pressure gland for an extra tight connection and easy installation.
8. M10 stainless steel 316 L screws (A4).