

High performance, ultra-compact, full range, two way bi-amp/ passive cabinet. It offers a wide dispersion of 90° x 60° and 122dB SPL (800W program).



### Key features

- Ultra-compact light weight
- Versatile sound reinforcement
- High performance
- 80° x 60° wide dispersion
- ARK processor optimised preset
- Multiple rigging/ mounting options

### Applications

- Club & bar installations
- Sound reinforcement
- Theatres
- Houses of worship
- Multi media spaces
- Public address

## General description & specifications

The HR-26 enclosure is a high-performance passive full range, with an excellent power-size ratio. It consists of two 6.5" transducers (at 8ohm impedance) and a 1" high frequency compression driver. It offers a wide dispersion of 90° x 60° and 122dB SPL (800W program).

This enclosure offers a selectable operation between bi-amp or passive mode and is ideal for a wide variety of applications and has

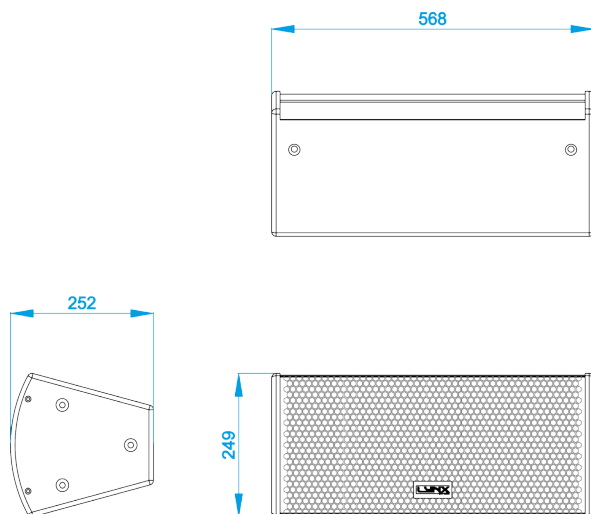
several accessories that provide an easier installation. Although this cabinet can be used without a processor, we strongly recommend that the cabinet presets are applied for maximum optimization and performance.

For Low Frequency reinforcement, several subwoofer options are available.



## Technical Data

<b>Components</b>	
• LF	2 x 6.5", 2" voice coil
• HF	1" Exit compression Driver, 1.75" aluminium voice coil, PM-4 polymer diaphragm
<b>Frequency range</b>	72 Hz – 20 KHz (-10dB)
<b>Frequency response</b>	78 Hz – 18 KHz (± 3dB)
<b>Sensitivity</b>	Passive Mode: 90 dB (1W@1m)
<b>Max SPL</b>	Passive Mode: 117dB – 122dB Peak Bi-Amp LF: 119dB – 125dB Peak Bi-Amp HF: 125dB – 131dB Peak
<b>Coverage Angle</b>	80° H x 60° V Constant directivity horn
<b>Power</b>	Passive mode: 400 W (800 W program, 1600 W peak) Bi- Amp LF: 400 W (800 W program, 1600 W peak) Bi-Amp HF: 70 W (140 W program, 280W peak)
<b>Crossover</b>	Bi-Amp / Passive (Selectable)
<b>Nominal impedance</b>	8 Ω – also available in 4 Ω
<b>Connectors</b>	2 x Neutrik Speakon NL4MP
<b>Finish</b>	Polyurea coating, black colour
<b>Material</b>	15 mm premium birch plywood
<b>Dimensions</b>	249 x 568 x 252 mm (H x W x D)
<b>Weight</b>	15 Kg (33 lbs)

## Dimensional Drawing



## Accessories

	AGR-10	Eye bolt for the HR-26
	UBR-HR26	Horizontal bracket for the HR-26

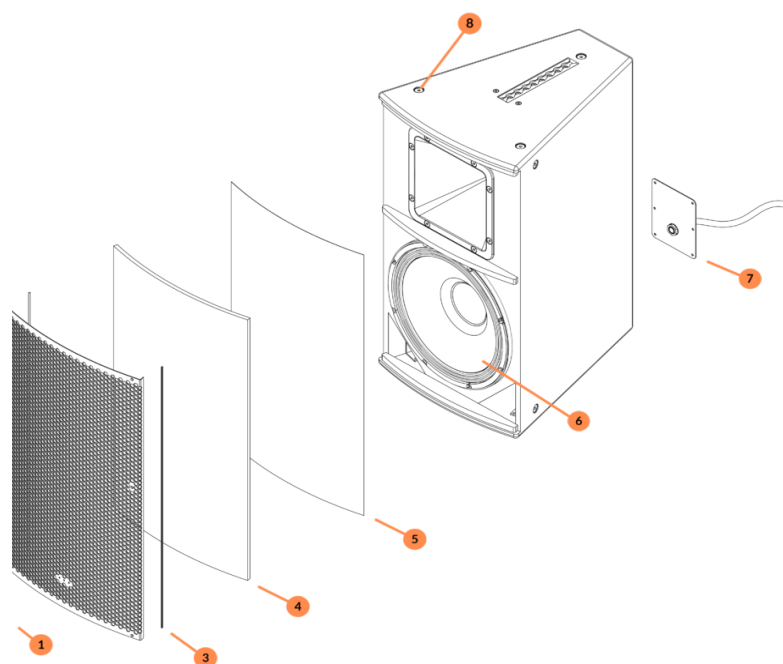
## Weather-resistant version

Our Weather-resistant speakers are designed to withstand harder weather conditions, where the cabinets are exposed to the elements.

RAL available on request. Polyurea coating with aliphatic colour paint.

### Colours:

Black polyurea coating with microtextured metal parts.



1. Anodized aluminium logo for durability outdoors.
2. Stainless steel 1 mm 316 L grill. Also available in aluminum with protective layer and micro textured paint.
3. Weatherstrip edging for extreme protection.
4. Acoustex filter: hydrophobic polyester sheet to prevent the penetration of water and external elements produced by extreme weather conditions.
5. 35 ppi Acoustic foam to protect against dust particles.
6. Waterproof protected cone on both sides
7. Aluminum back plate with pressure gland for an extra tight connection and easy installation.
8. M10 stainless steel 316 L screws (A4).