

High performance, ultra-compact, full range, two way bi-amp/ passive cabinet. It offers a wide dispersion of 90° x 60° and 126 dB SPL (1000W program).



### Key features

- Ultra-compact light weight
- Versatile sound reinforcement
- High performance
- 90° x 60° wide dispersion
- ARK processor optimised preset
- Multiple rigging/ mounting options

### Applications

- Club & bar installations
- Sound reinforcement
- Theatres
- Houses of worship
- Multi media spaces
- Public address

### General description & specifications

The HR-28 enclosure is a high-performance passive full range, with an excellent power-size ratio. It consists of two 8" hexacone transducers and a 1" high frequency compression driver. It offers a wide dispersion of 90° x 60° and 126 dB SPL (1000W program).

This enclosure offers a selectable operation between bi-amp or passive mode and is ideal for a wide variety of applications.

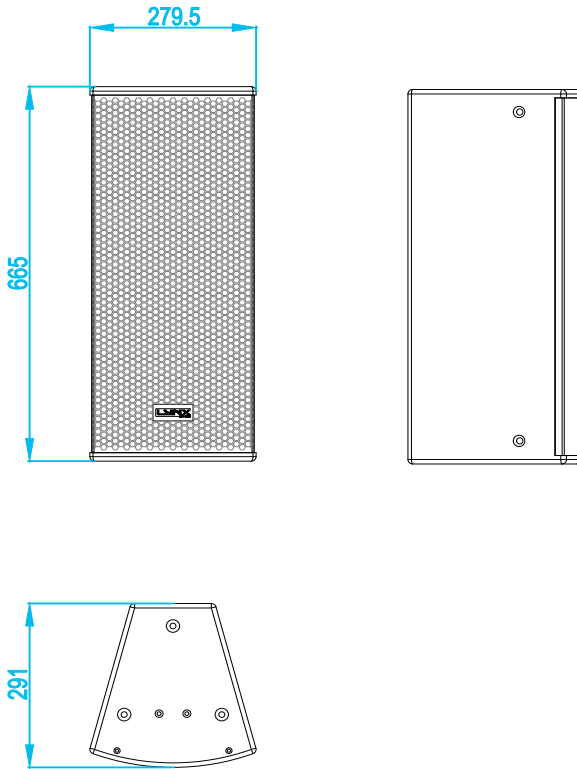
Although this cabinet can be used without a processor, we strongly recommend that the cabinet presets are applied for maximum optimization and performance.

For Low Frequency reinforcement, several subwoofer options are available.

### Technical Data

<b>Components</b>	
• LF	2 x 8", 2" aluminium voice coil, hexacone cone
• HF	1" Exit compression Driver, 1.75" aluminium voice coil, Polyester diaphragm
<b>Frequency range</b>	54 Hz – 20 KHz (-10dB)
<b>Frequency response</b>	60 Hz – 18 KHz (± 3dB)
<b>Sensitivity</b>	Passive Mode: 93 dB (1W@1m)
<b>Max SPL</b>	Passive Mode: 120 dB – 126 dB Peak Bi-Amp LF: 120 dB – 126 dB Peak Bi-Amp HF: 125 dB – 131 dB Peak
<b>Coverage Angle</b>	90° x 60° (Rotatable)
<b>Power</b>	Passive mode: 500 W (1000 W program, 2000 W peak) Bi- Amp LF: 500 W (1000 W program, 2000 W peak) Bi-Amp HF: 70 W (140 W program, 280W peak)
<b>Crossover</b>	Bi-Amp / Passive (Selectable)
<b>Nominal impedance</b>	4 Ω Passive / Biamp LF 4 Ω, HF 8 Ω
<b>Connectors</b>	2 x Neutrik Speakon NL4MP
<b>Finish</b>	Polyurea coating - other colours (RAL) available
<b>Material</b>	15 mm premium birch plywood
<b>Dimensions</b>	665 x 279 x 298 mm (H x W x D)
<b>Weight</b>	17 Kg (37 lbs)
<b>Fittings</b>	11 x M10 points

## Dimensional Drawing



## Accessories

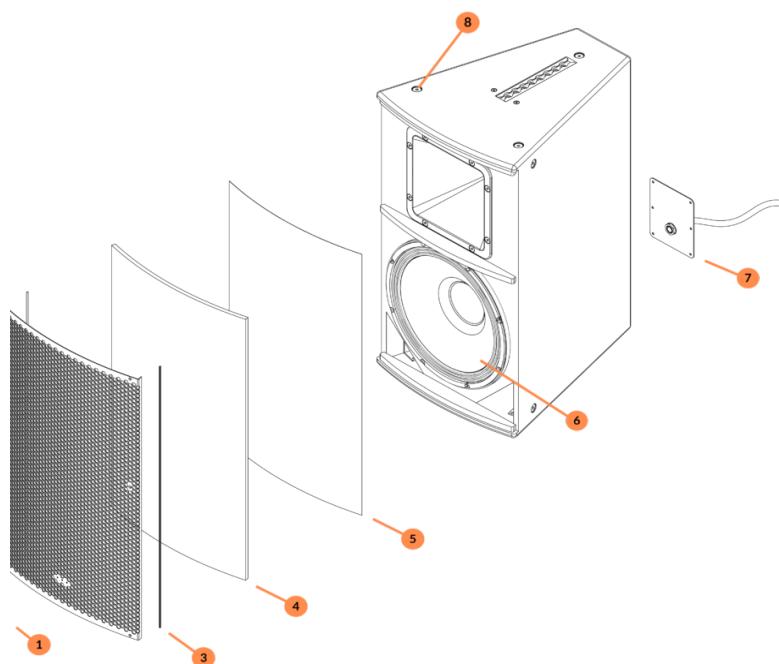
	AGR-10	Eye bolt for the HR-28
	HBR-28	Horizontal bracket for the HR-28
	WB-20	Wall bracket for the HR-28

## Marine Grade Option

This cabinet is also available for Marine environments, such as cruise ships for example. Our Marine option speakers are designed to withstand harder weather conditions, where the cabinets are exposed to the elements.

### Colours:

Black polyurea coating with microtextured metal parts. RAL available on request. Polyurea coating with aliphatic colour paint.



1. Anodized aluminium logo for durability outdoors.
2. Stainless steel 1 mm 316 L grill. Also available in aluminum with protective layer and micro textured paint.
3. Weatherstrip edging for extreme protection.
4. Acoustex filter: hydrophobic polyester sheet to prevent the penetration of water and external elements produced by extreme weather conditions.
5. 35 ppi Acoustic foam to protect against dust particles.
6. Waterproof protected cone on both sides
7. Aluminum back plate with pressure gland for an extra tight connection and easy installation.
8. M10 stainless steel 316 L screws (A4).