

High performance, ultra-compact, full range, versatile sound reinforcement, 90° x 90° wide dispersion cabinet. It offers 119 dB SPL (400 W program)



Key features

- Ultra-compact
- Versatile sound reinforcement
- High performance
- 90° x 90° wide dispersion
- ARK processor optimised preset
- Multiple rigging / mounting options

Applications

- Club & bar installations
- Sound reinforcement
- Theatres
- Houses of worship
- Multi media spaces
- Public address

General description & specifications

Ultra compact, light and very versatile passive enclosure specially designed for all types of installation projects, both indoors and outdoors (outdoor version available). It consists of a 6.5" transducer (impedance 16 ohm) and a 1" high frequency Mylar tweeter. It offers 119 dB SPL (400 W program)

It is an excellent solution for large installation projects or basic installations. It has a complete range of accessories to provide an

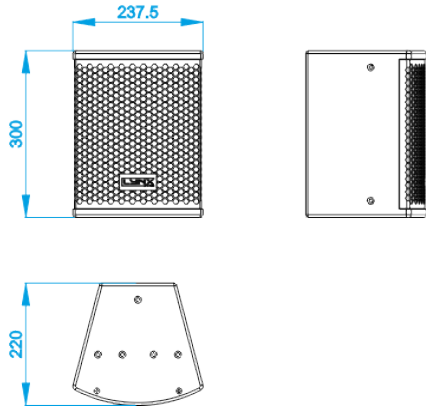
easier installation. Although this cabinet can be used without a processor, we strongly recommend that the cabinet presets are applied for maximum optimization and performance.

For Low Frequency reinforcement, several subwoofer options are available.




Technical Data

Components	
• LF	1 x 6.5", 2" voice coil
• HF	1 x Tweeter 1" - 1.25" aluminium voice coil, Mylar diaphragm
Frequency range	62 Hz - 20 KHz (-10dB)
Frequency response	88 Hz - 18 KHz (± 3dB)
Sensitivity	93 dB (1W@1m)
Max SPL	116 dB - 122 dB Peak
Coverage Angle	90° H x 90° V
Power	200 W (400 W program, 800 W peak)
Crossover	Passive
Nominal impedance	16 Ω
Connectors	2 x Neutrik Speakon NL4MP / 4 x Terminal Block 7.62 mm between pins
Finish	Polyurea coating, black colour
Material	15 mm premium birch plywood
Dimensions	300 x 236 x 220 mm (H x W x D)
Weight	7.5 Kg (17 lbs)

Dimensional Drawing



Accessories

	UBR-HR6	U bracket for HR-6
	WB-10	Wall bracket for HR-6
	AGR-6	M6 eye bolt for HR-6