

High performance, ultra-compact, full range, versatil sound reinforcement, 90° x 60 rotatable cabinet. It offers 125 dB SPL (600 W program).



Key features

- Ultra-compact
- Versatile sound reinforcement
- High performance
- 90° x 90° wide dispersion
- ARK processor optimised preset
- Multiple rigging / mounting options

Applications

- Club & bar installations
- Sound reinforcement
- Theatres
- Houses of worship
- Multi media spaces
- Public address

General description & specifications

Passive ultra compact, lightweight and very versatile enclosure especially designed for all types of installation projects. It consists of a 8" transducer with Neodimium magnet and a 1" high frequency compression driver. It offers 125 dB SPL (600 W program).

It is an excellent solution for all types of fixed installations and has a complete range of accessories to provide an easier installation.

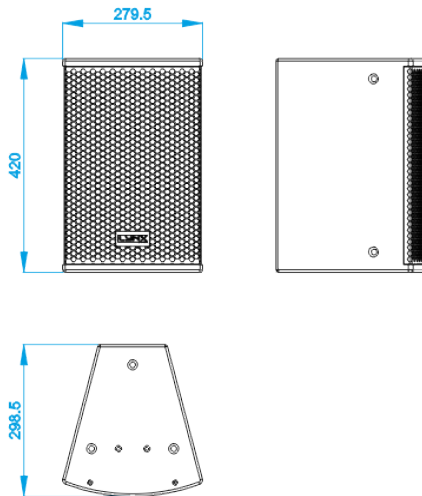
Although this cabinet can be used without a processor, we strongly recommend that the cabinet presets are applied for maximum optimization and performance.

For Low Frequency reinforcement, several subwoofer options are available.

Technical Data

Components	
• LF	1 x 8" Neodimium – 2" aluminum voice coil kapton cone
• HF	1" Exit compression Driver , 1.75" aluminium voice coil, Polyester diaphragm
Frequency range	60 Hz – 20 KHz (-10dB)
Frequency response	78 Hz – 18 KHz (± 3dB)
Sensitivity	97 dB (1W@1m)
Max SPL	122 dB – 128 dB Peak
Coverage Angle	90° x 90° rotatable
Power	300 W (600 W program, 1200 W peak)
Crossover	Passive
Nominal impedance	8 Ω
Connectors	2 x Neutrik Speakon NL4MP / 4 x Terminal Block 7.62 mm between pins
Finish	Polyurea coating, black colour
Material	15 mm premium birch plywood
Dimensions	420 x 274 x 298 mm (H x W x D)
Weight	10 Kg (22 lbs)

Dimensional Drawing



Accessories

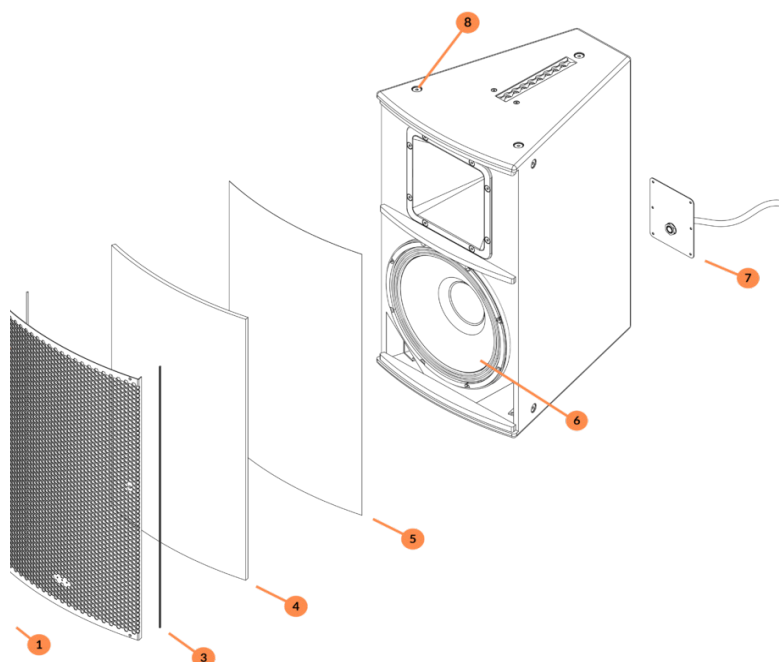
	UBR-HR8	U bracket for HR-8
	WB-20	Wall bracket for HR-8
	AGR-6	M6 eye bolt for HR-8

Marine Grade Option

This cabinet is also available for Marine environments, such as cruise ships for example. Our Marine option speakers are designed to withstand harder weather conditions, where the cabinets are exposed to the elements.

Colours:

Black polyurea coating with microtextured metal parts. RAL available on request. Polyurea coating with aliphatic colour paint.



1. Anodized aluminium logo for durability outdoors.
2. Stainless steel 1 mm 316 L grill. Also available in aluminum with protective layer and micro textured paint.
3. Weatherstrip edging for extreme protection.
4. Acoustex filter: hydrophobic polyester sheet to prevent the penetration of water and external elements produced by extreme weather conditions.
5. 35 ppi Acoustic foam to protect against dust particles.
6. Waterproof protected cone on both sides
7. Aluminum back plate with pressure gland for an extra tight connection and easy installation.
8. M10 stainless steel 316 L screws (A4).