

Professional coaxial two-way, full range, 4-inch ceiling mount loudspeaker system.



Key features

- Two-way 4" coaxial speaker
- Coaxial loudspeaker with HF compression driver
- Loudspeaker designed for voice and background music
- 30 W AES @ 8 Ω
- Low-impedance and high-impedance
- Front baffle wattage tap adjustment
- Power selector: 30 / 15 / 7.5 W 100 V (3.75W @ 70V) 8 Ω
- Easy install
- Complete grill without frame, discrete design
- Bass ports for extended low frequency
- External loop-through Euroblock connectors

Applications

- Corporate training rooms, ballrooms
- Convention centers, exhibit halls, houses of worship
- Malls, airports, nightclubs, bars, restaurants
- Auditorium, museums

General description & specifications

The IXP-4 is an in-ceiling loudspeaker delivering great sound performance. It features a 4" woofer + 0.75" tweeter with a conical horn. It uses a high quality 100V / 70V Line transformer that offers a selection of 30/15/7.5W (3.75W @ 70V) delivered to the loudspeaker system using high impedance lines or 8Ω bypass.

The baffle and bezel are constructed from white ABS, the rear enclosure made in steel with black finish and adds damping material, providing an optimum internal volume for extended low-frequency performance together with the 2 bass ports situated on the front.

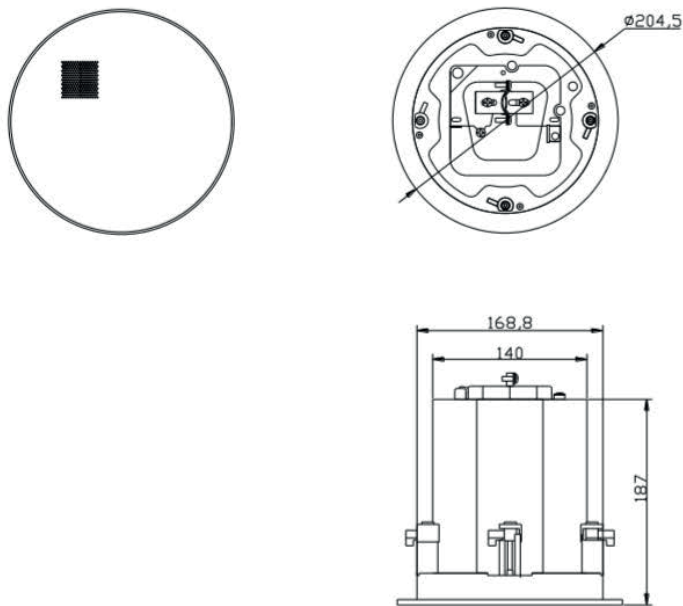
A rear cover, with provision for a junction box fitting provides access to a 4 pin terminal euroblock with loop-thru for an easy power connection, also included is a point for safety steel wire and a cable glamp press ensuring the connection.

The frameless grill has a discrete design offering the possibility to paint easily if required. Thanks to the 6 neodymium points the grill can be removed without the need of any tools allowing the user to easily access the the front wattage selector switch enabling quick adjustment of 70V/100V tap levels.

Technical Data

Components	4" 100mm polypropylene cone with rubber suspension
Frequency range	(-10 dB) 73 - 20.000 Hz
Frequency response	(-3 dB) 85 - 20.000 Hz
Rated power	30W (8 Ω) 120W peak
Transformer Taps	100V 30 / 15 / 7.5 W 70V 30 / 15 / 7.5 / 3.75W Low Impedance 8Ω
Max SPL	8Ω 102 dB 100V / 70V 102 dB
Sensitivity	87 dB 1W / 1m @ Zn average 400Hz to 8KHz
Nominal impedance	8 Ω
Nominal coverage	100° conical dispersion
Recommended signal processing	100 Hz, at 24dB per octave high pass filter
Crossover frequency	5500 Hz 12dB/octave HP/LP filter
Input connection	4 poles Euroblock connector with loop-thru
Enclosure material	Baffle ABS, backcan steel black finish
Grille	Powder coated steel, white finish, paintable
Controls	Front-face wattage / low impedance selector switch
Mounting / Rigging provisions	4 Rotating Mounting tabs (dog ears)
Dimensions H x Diameter	188 mm x 204.5 mm (7.4 in x 8 in)
Cut out size	168 mm (6.6 in)
Net weight	2.6 Kg (5.7 lbs)

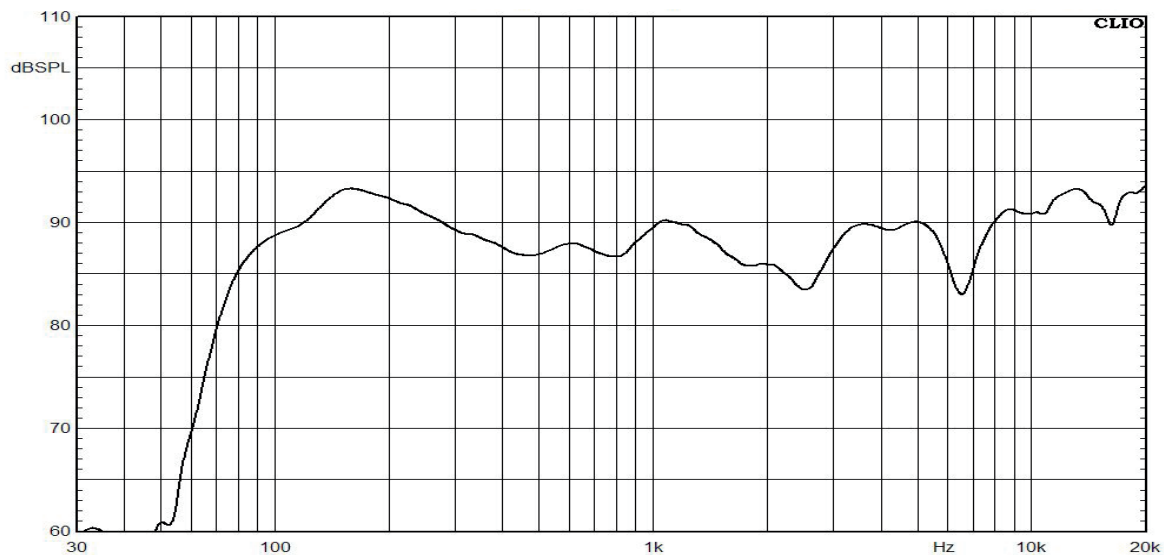
Dimensional Drawing



Dimensions in millimeters.

Frequency response

1 / 6 Octave Smoothing, 1w@1m, anechoic chamber, half space with optimized preset



Architectural specifications

The loudspeaker system shall be a 2 way, full-range ceiling loudspeaker system with a 4" low frequency transducer with a coaxially mounted waveguide loaded 0.75" exit high frequency dome tweeter.

The loudspeaker baffle/bezel shall be constructed in ABS material with a white and black finish steel backcan. The system shall have a frequency response of 90 Hz to 20 kHz (-10dB) and a nominal low impedance of 8 Ω . The sensitivity shall be 87 dB SPL at 1 meter on axis with 1 watt of pink noise.

The loudspeaker system shall have a conical coverage pattern of 100°. The nominal system impedance shall be 8 ohms. The system shall be equipped with a 30W line transformer used in 70V or 100V with 30W, 15W, 7.5W and 3.75W taps available in 70V distributed systems and 30W,

15W and 7.5W taps available in 100V distributed systems, easily accessible front face tap selector switch located on the front baffle is concealed by the supplied removable grille, shall be available for selecting wattage and low impedance settings. The power rating shall be 30W AES used in low impedance 8 Ω .

The loudspeaker shall have a point on the back to place a security cable, the connection system shall be hidden thanks to a protective metal box and shall have a 4-pin euroblock connector including 2 for input and 2 for loop thru. The loudspeaker installation shall be through 4 rotating Mounting tabs (dog ears). The loudspeaker shall be 188mm (7.4in) diameter and 204mm (8 in) deep. Weight shall be 2.6kg (5.7lb).

Lynx Pro Audio reserves the right to make changes or improvements in the design or the manufacturing that may affect these product specifications without notice.